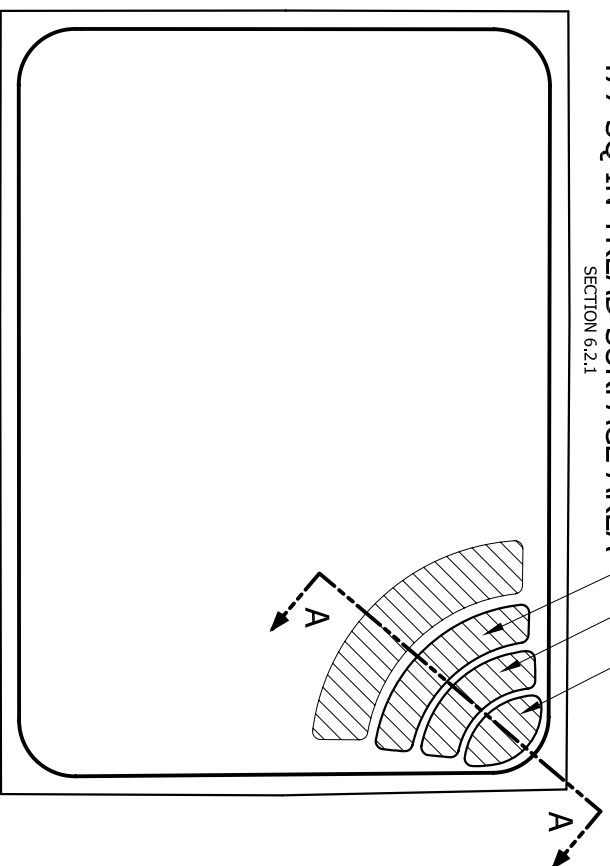


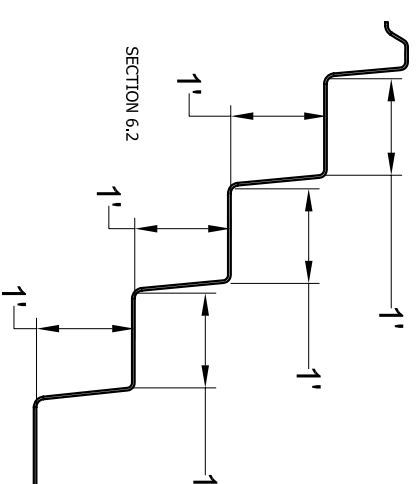
241 SQ IN TREAD SURFACE AREA
 327 SQ IN TREAD SURFACE AREA
 477 SQ IN TREAD SURFACE AREA

SECTION 6.2.1



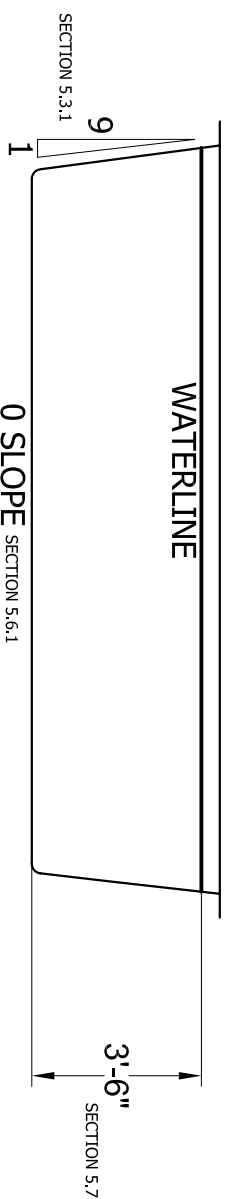
PLAN VIEW

SCALE 1/4" = 1'-0"



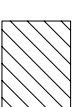
STEP SECTION A-A

SCALE 1/2" = 1'-0"



ELEVATION

SCALE 1/4" = 1'-0"



NON-SKID (SECTION 8.1)

AREA: 171 SQ.FT
 PERIMETER: 52 FT
 VOLUME: 4900 GAL

ISLANDER 600 NSPI-5	
SCALE AS NOTED	DATE 05-30-08
DRAWN BY KLB	REVISION 01