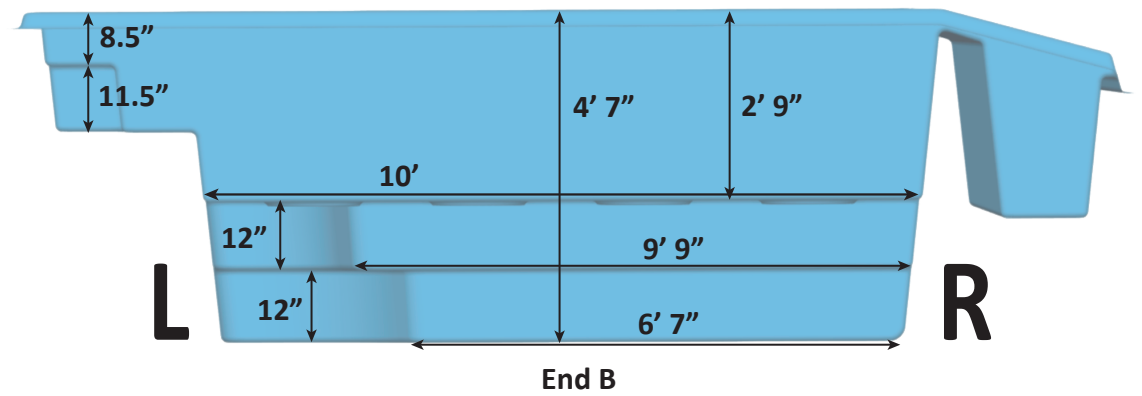
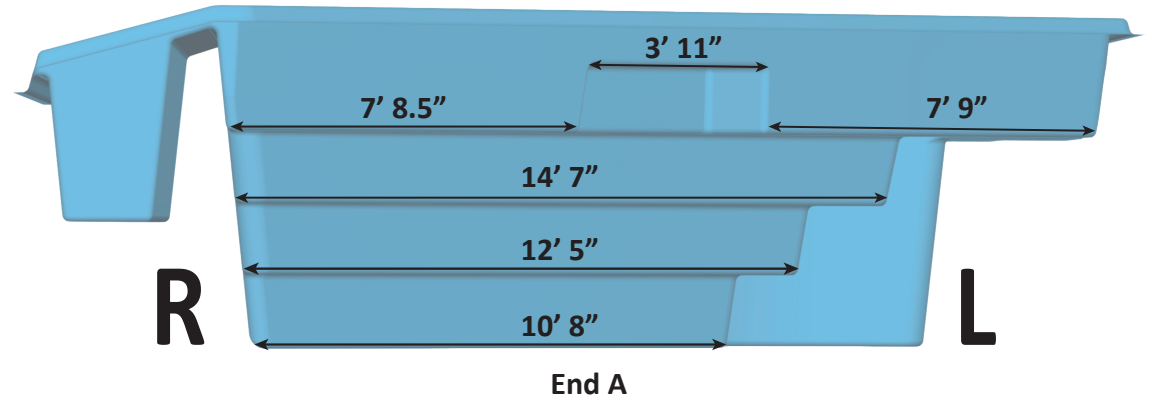
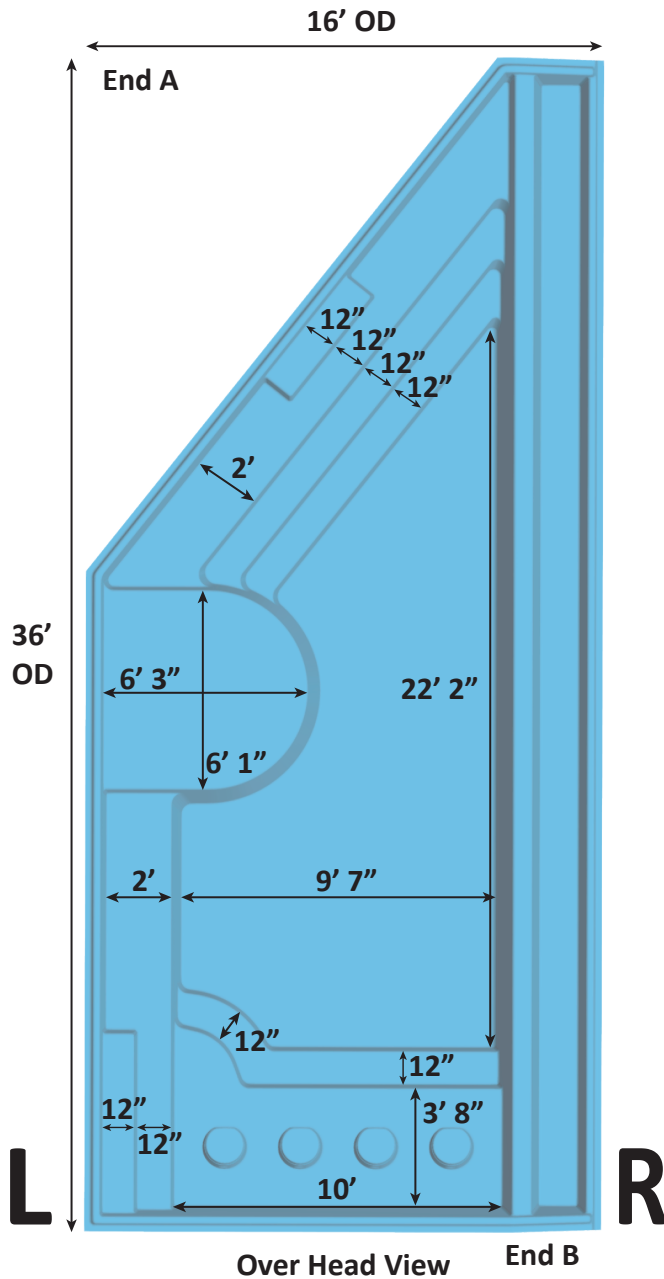


# iPOOL DETAIL SHEET - 03-10-22 - REVISION 01



Pool Surface Area: 348 Sq. ft.  
 Pool Perimeter: 87 Lin. ft.  
 Catch Basin Surface Area: 60 Sq. ft.  
 Catch Basin Perimeter: 73 Sq. ft.  
 Per sect. 8.1, surfaces that provide  
 footing have slip resistant surfaces.  
 All measurments are averages.

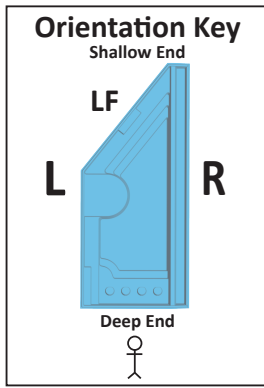
Pool Volume: 7,217 Gal.  
 Catch Basin Volume: 765 Gal.  
 Total Volume: 7,982 Gal.



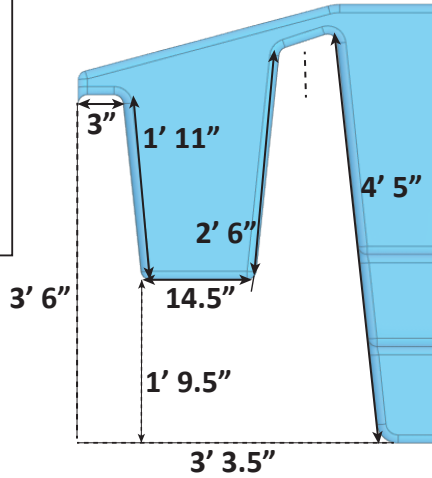
USA Specifications



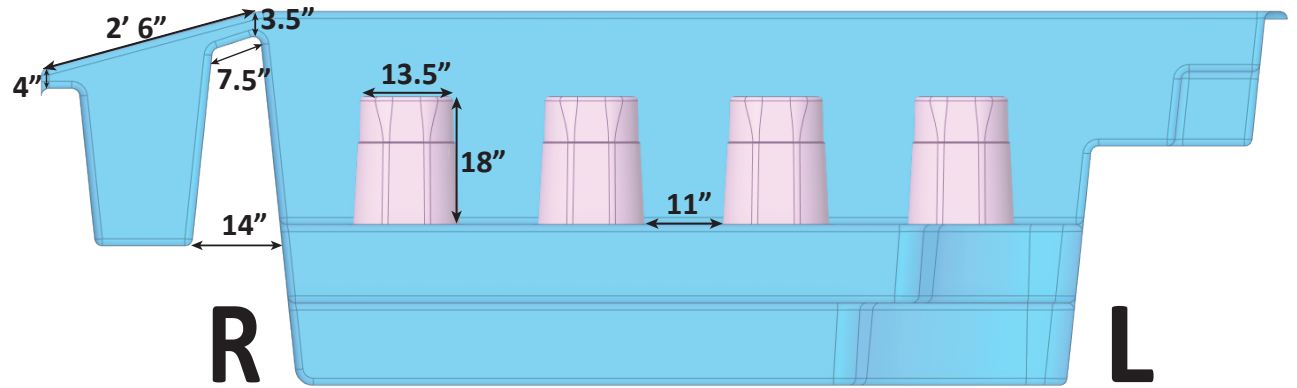
# iPOOL DETAIL SHEET - 03-10-22 - REVISION 01



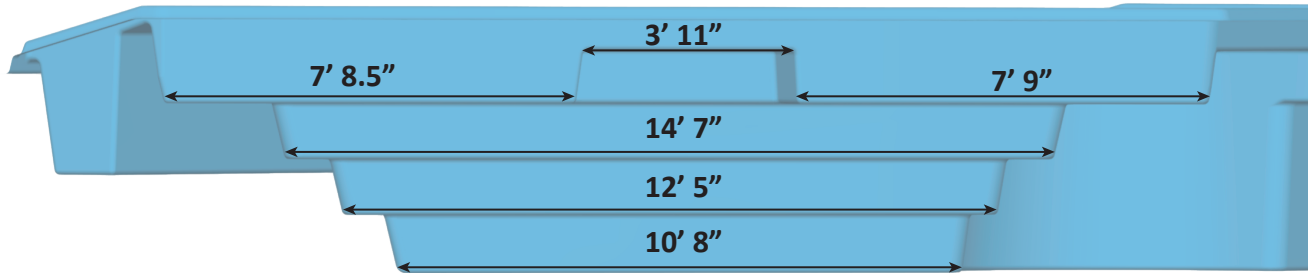
Vanishing Edge Spill Over Catch Basin  
Cross Section



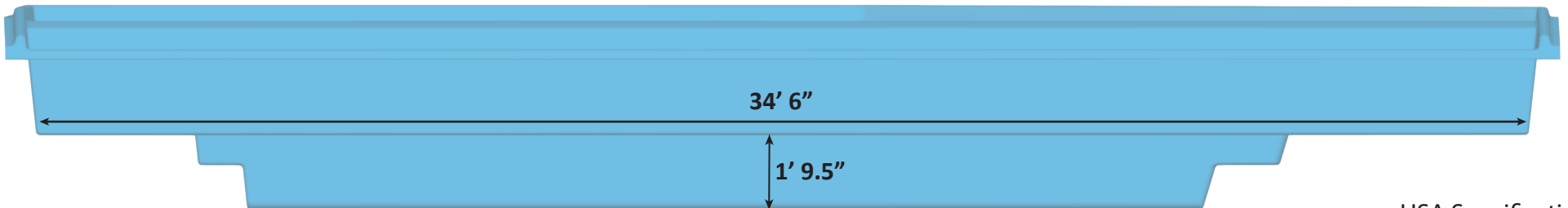
Seat View



Primary Step Section View LF



Catch Basin Side



Pool Surface Area: 348 Sq. ft.  
 Pool Perimeter: 87 Lin. ft.  
 Catch Basin Surface Area: 60 Sq. ft.  
 Catch Basin Perimeter: 73 Sq. ft.  
 Per sect. 8.1, surfaces that provide  
 footing have slip resistant surfaces.  
 All measurments are averages.

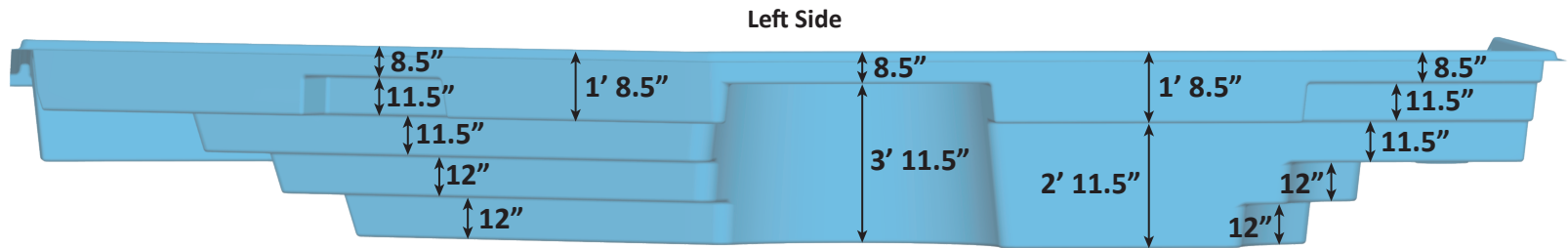
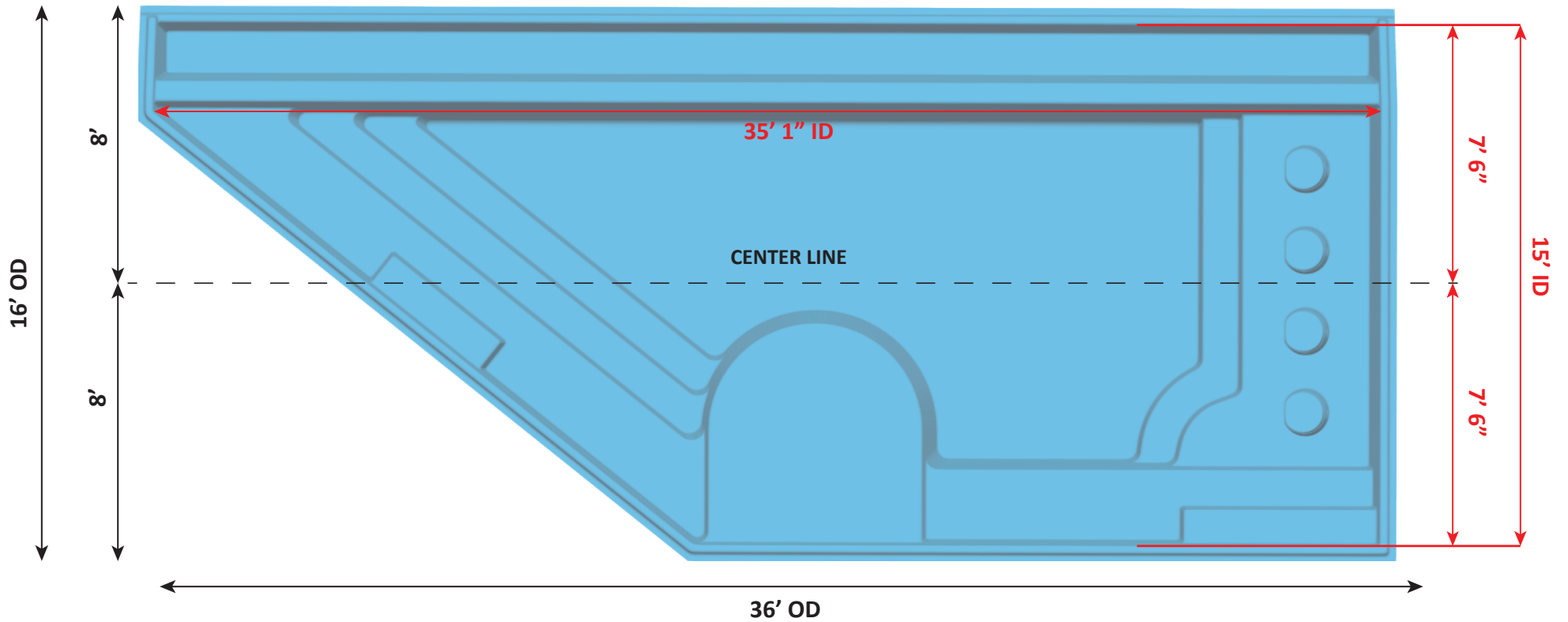
Pool Volume: 7,217 Gal.  
 Catch Basin Volume: 765 Gal.  
 Total Volume: 7,982 Gal.



USA Specifications



# iPOOL DETAIL SHEET - 03-10-22 - REVISION 01



Pool Surface Area: 348 Sq. ft.  
 Pool Perimeter: 87 Lin. ft.  
 Catch Basin Surface Area: 60 Sq. ft.  
 Catch Basin Perimeter: 73 Sq. ft.  
 Per sect. 8.1, surfaces that provide  
 footing have slip resistant surfaces.  
 All measurments are averages.

Pool Volume: 7,217 Gal.  
 Catch Basin Volume: 765 Gal.  
 Total Volume: 7,982 Gal.



USA Specifications

