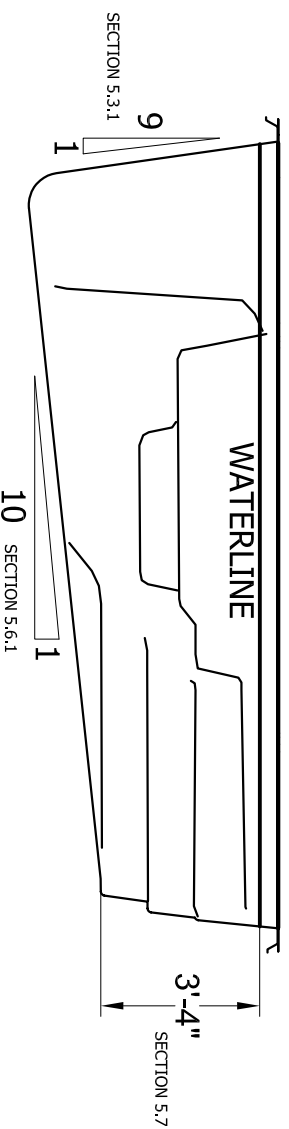


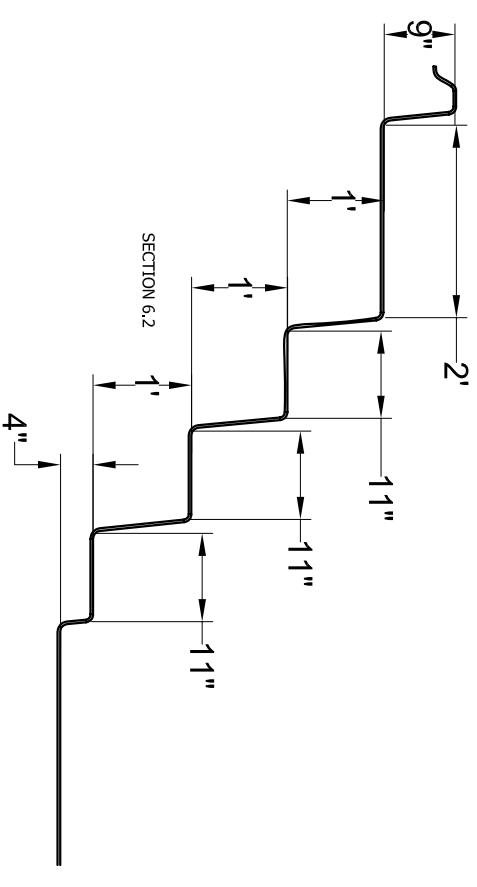
PLAN VIEW

SCALE 1/4" = 1'-0"



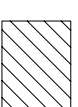
ELEVATION

SCALE 1/4" = 1'-0"



STEP SECTION A-A

SCALE 1/2" = 1'-0"



NON-SKID (SECTION 8.1)

AREA: 147 SQ.FT
 PERIMETER: 46 FT
 VOLUME: 4300 GAL

| | |
|--------------------------------|---------------|
| CRYSTAL REEF 727 NSPI-5 | |
| SCALE AS NOTED | DATE 05-29-08 |
| DRAWN BY KLB | REVISION 01 |