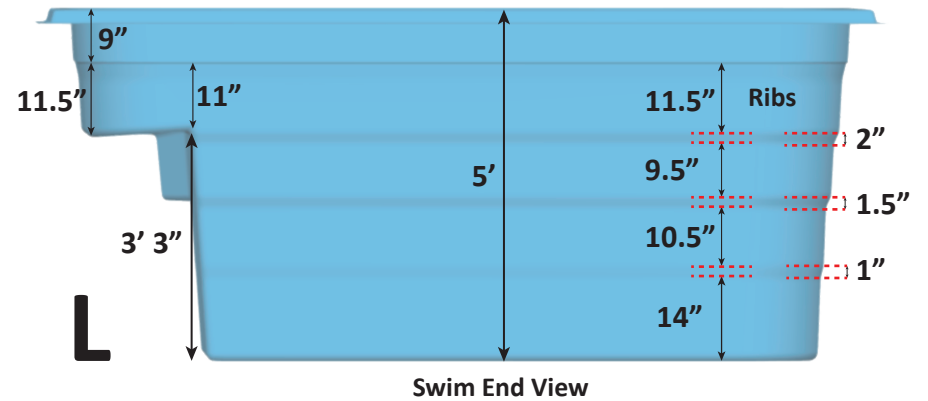
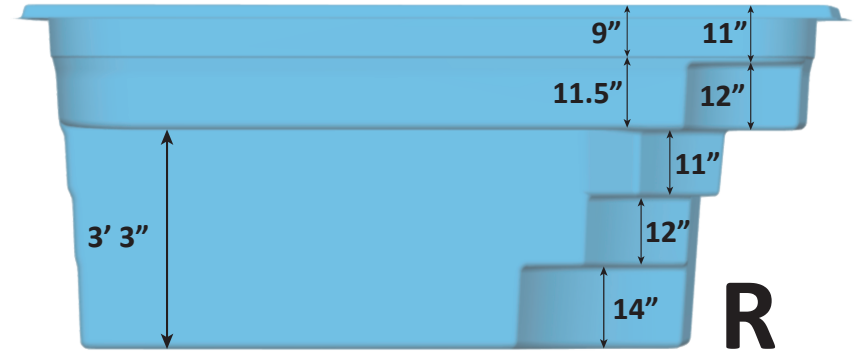
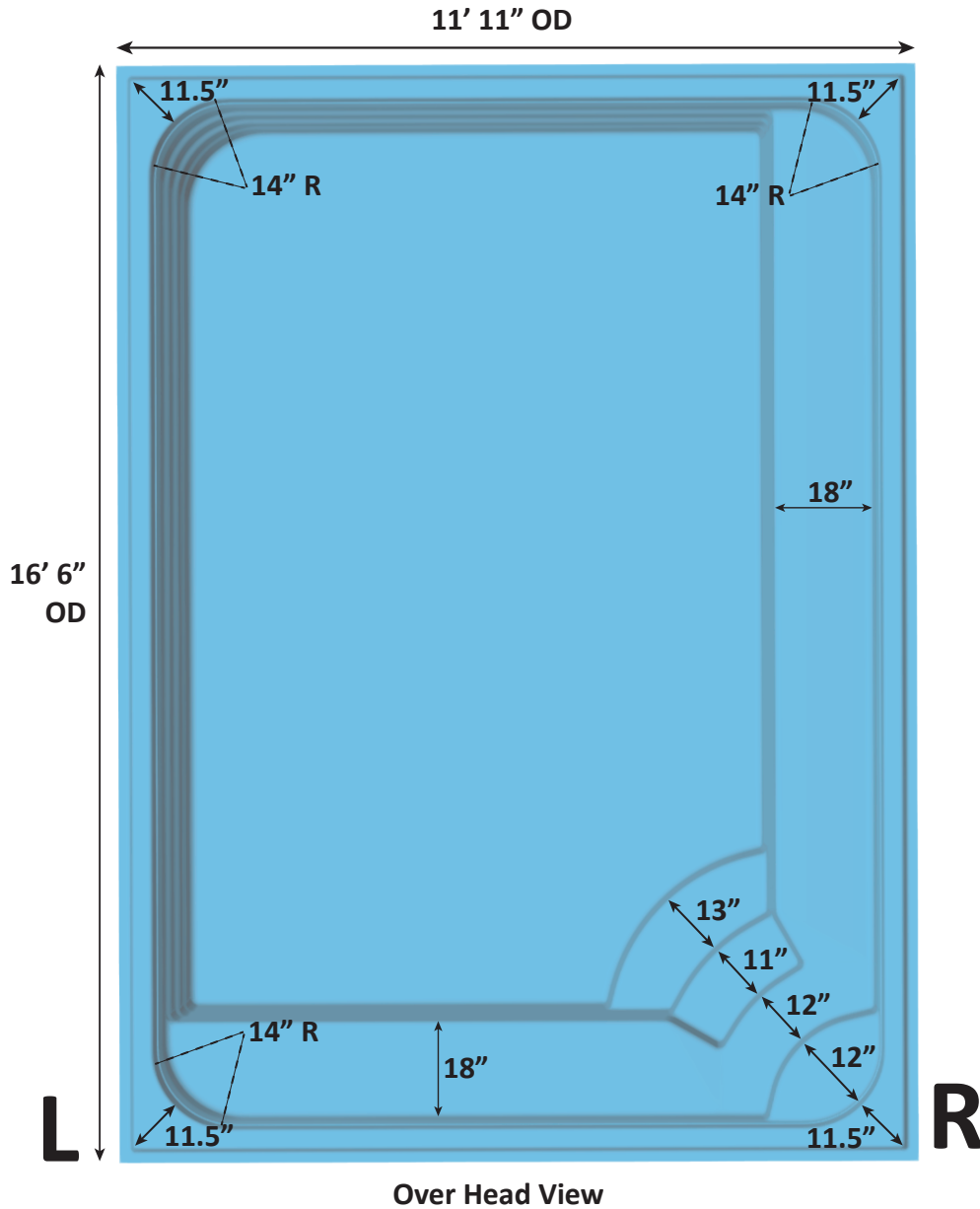


SEA ISLE DETAIL SHEET - 04-27-22 - REVISION 01



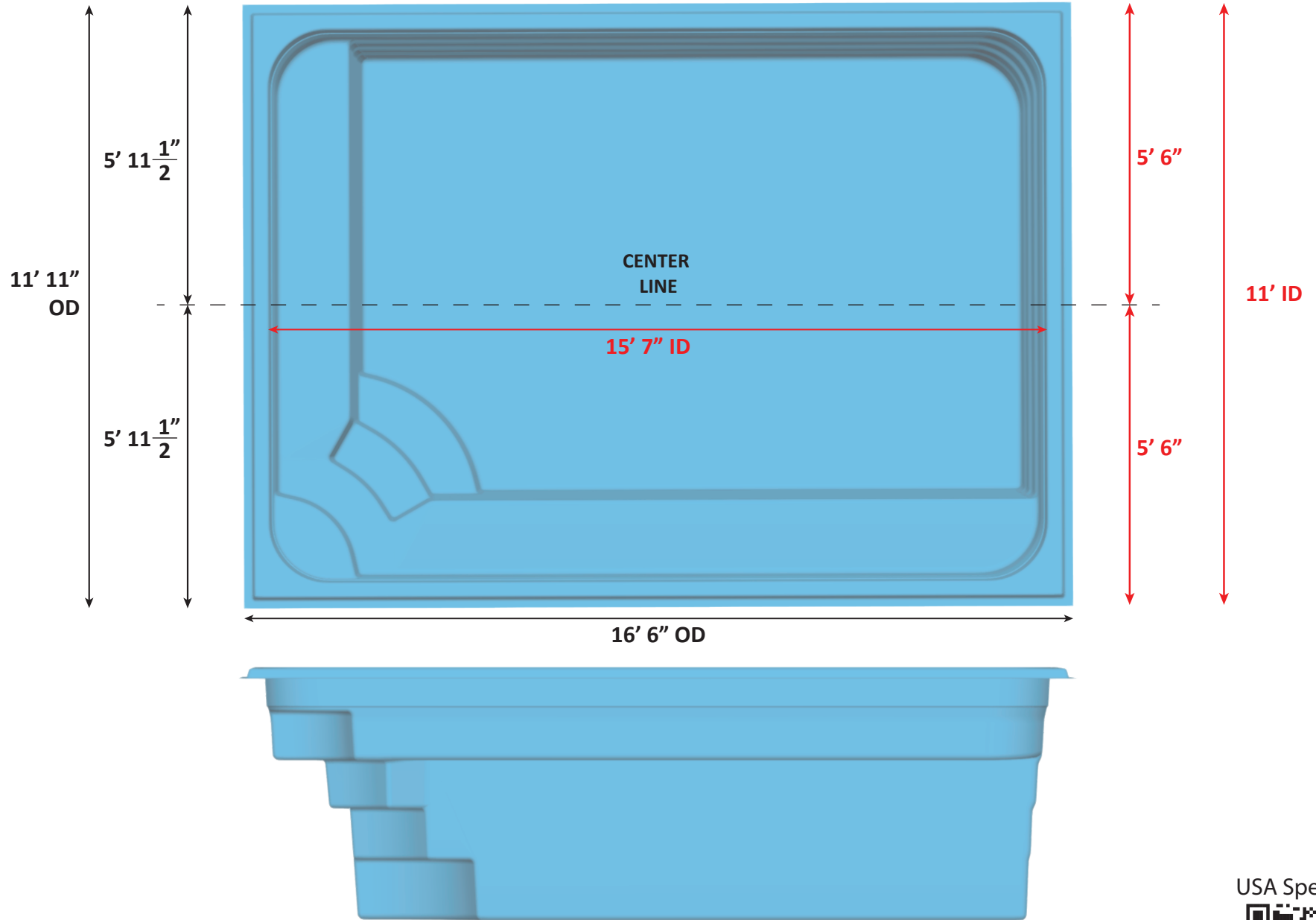
Surface Area: 174 Sq. ft.
 Perimeter: 51 Lin. ft.
 Volume: 5,074 Gal.
 Per sect. 8.1, surfaces that provide footing have slip resistant surfaces.
 All measurements are averages.



USA Specifications



SEA ISLE DETAIL SHEET - 04-27-22 - REVISION 01



Surface Area: 174 Sq. ft.
Perimeter: 51 Lin. ft.
Volume: 5,074 Gal.
Per sect. 8.1, surfaces that provide
footing have slip resistant surfaces.
All measurments are averages.



USA Specifications

