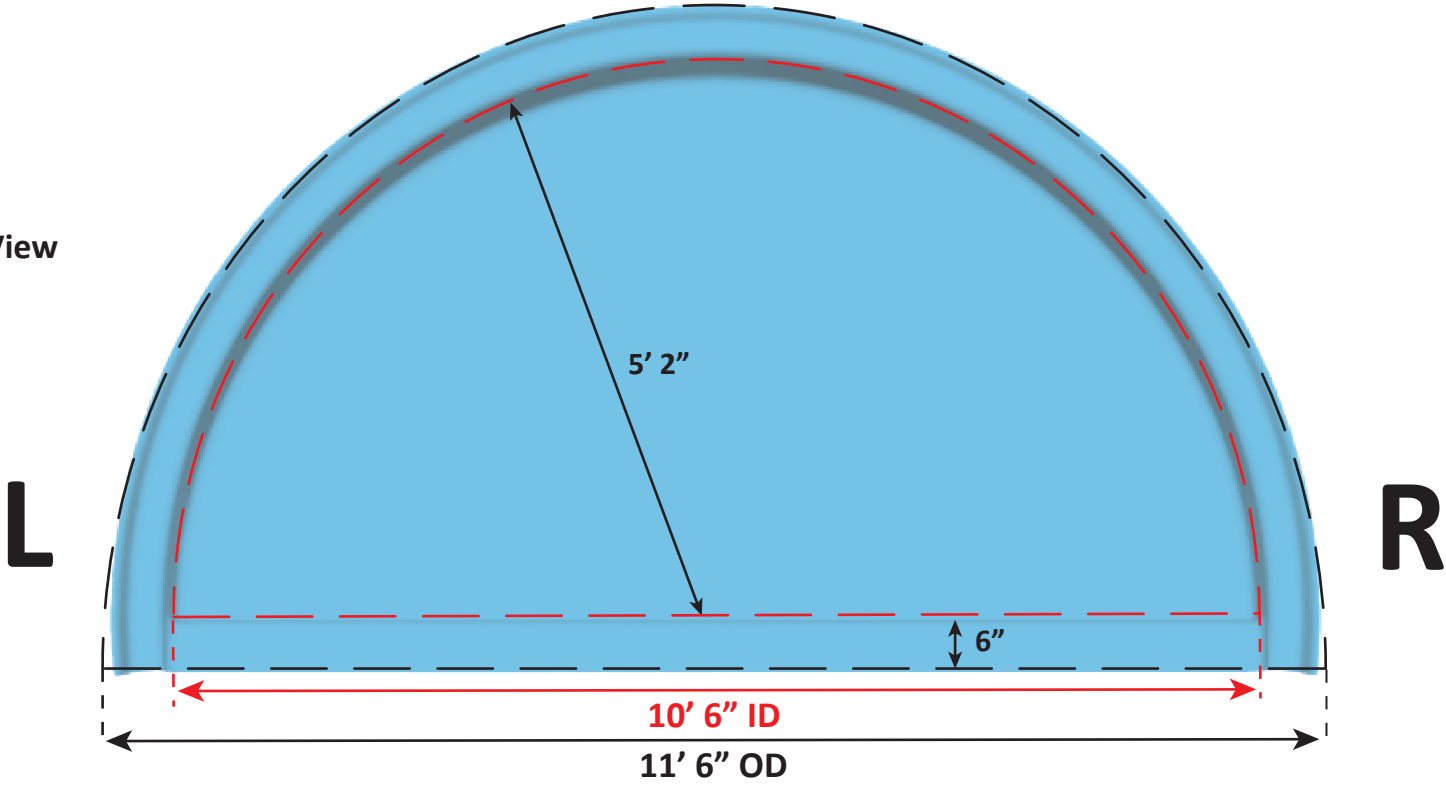


POND-ROUND DETAIL SHEET - 07-26-24 - REVISION 01

Over Head View



Side View



Surface Area: 105 Sq. ft.
Perimeter: 18.19 Lin. ft.
Volume: 1,035 Gal.
Per sect. 8.1, surfaces that provide
footing have slip resistant surfaces.
All measurements are averages.



USA Specifications

