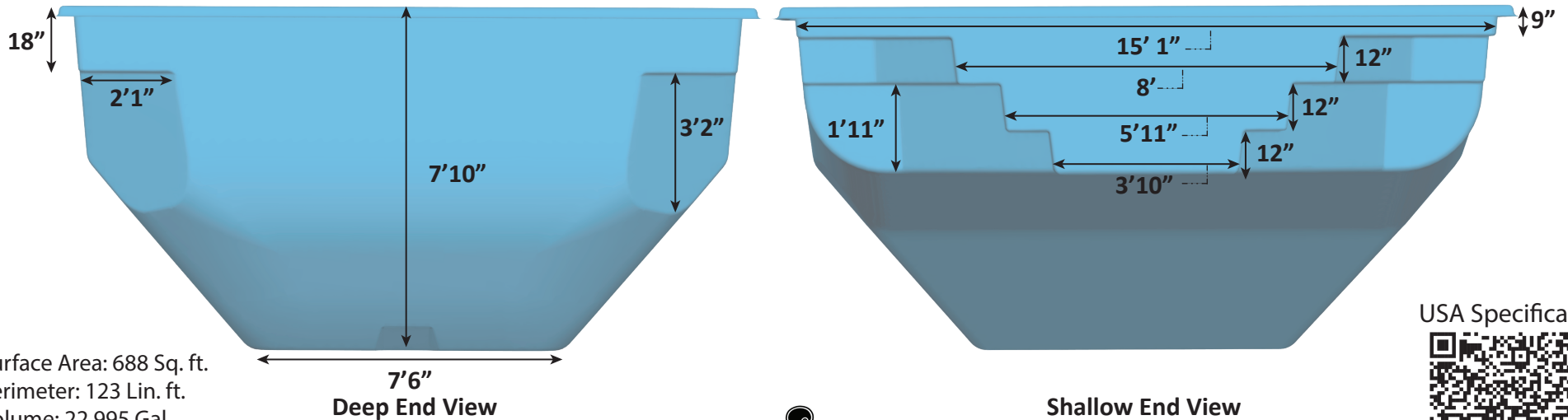
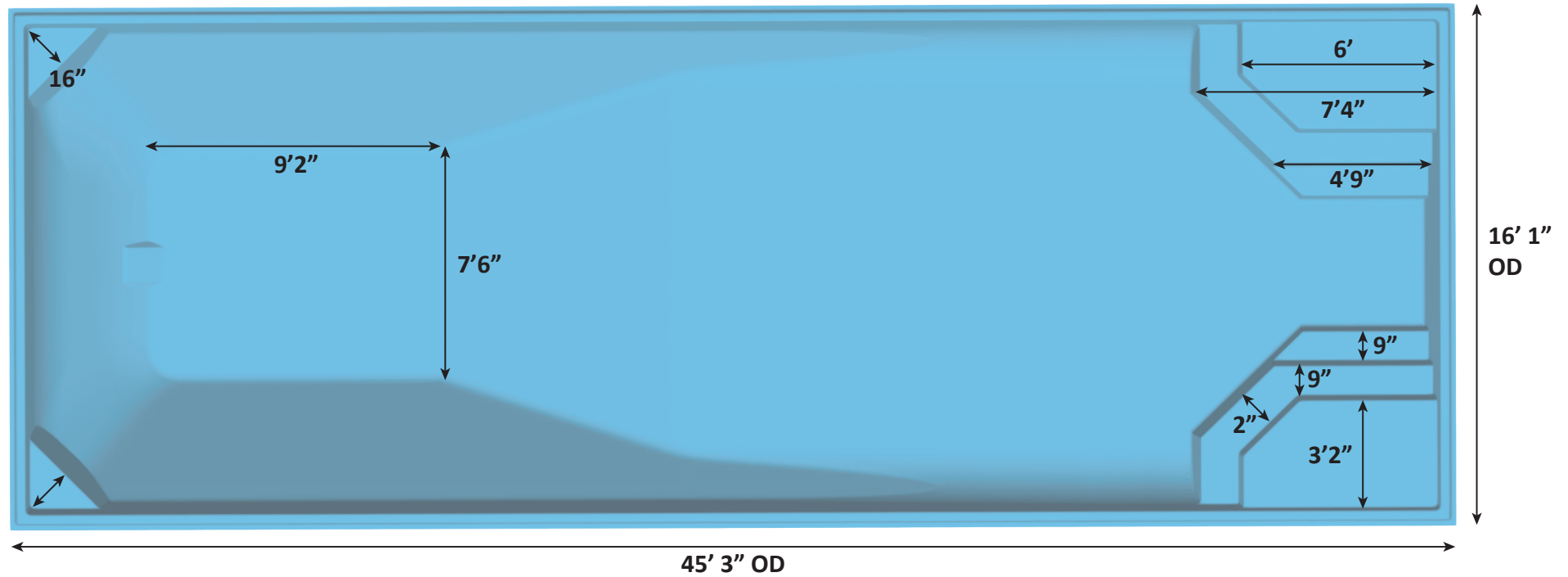


LUXOR DEEP DETAIL SHEET - 10-28-21 - REVISION 02

Over Head View



Surface Area: 688 Sq. ft.

Perimeter: 123 Lin. ft.

Volume: 22,995 Gal.

Per sect. 8.1, surfaces that provide footing have slip resistant surfaces.

All measurements are averages.

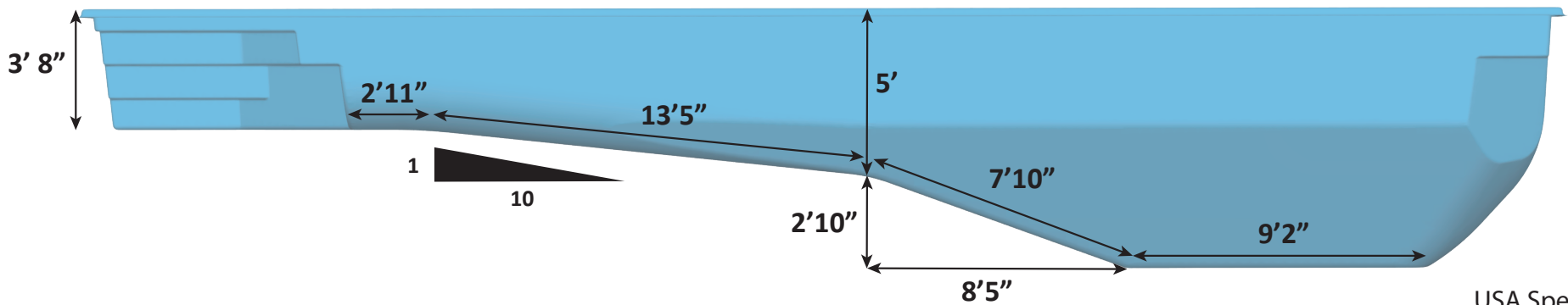
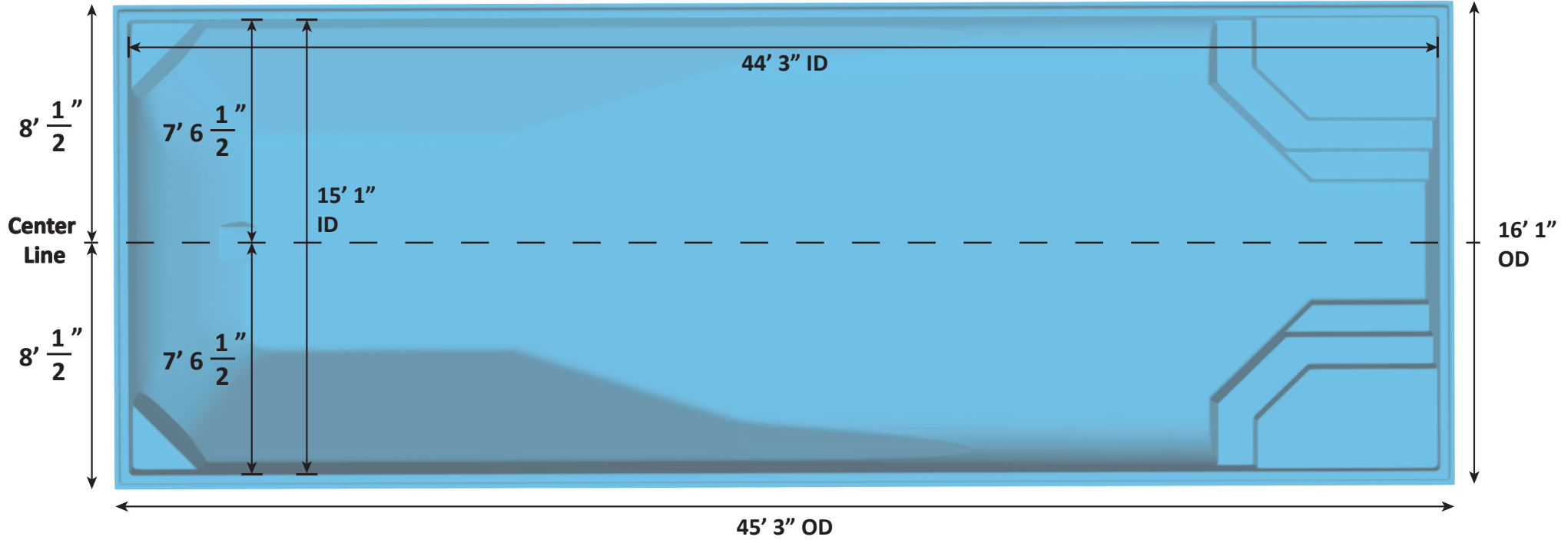


Shallow End View

USA Specifications



Luxor Deep - 08-19-21 - REVISION 01



Surface Area: 688 Sq. ft.
Perimeter: 123 Lin. ft.
Volume: 22,995 Gal.
Per sect. 8.1, surfaces that provide footing have slip resistant surfaces.
All measurements are averages.

USA Specifications

