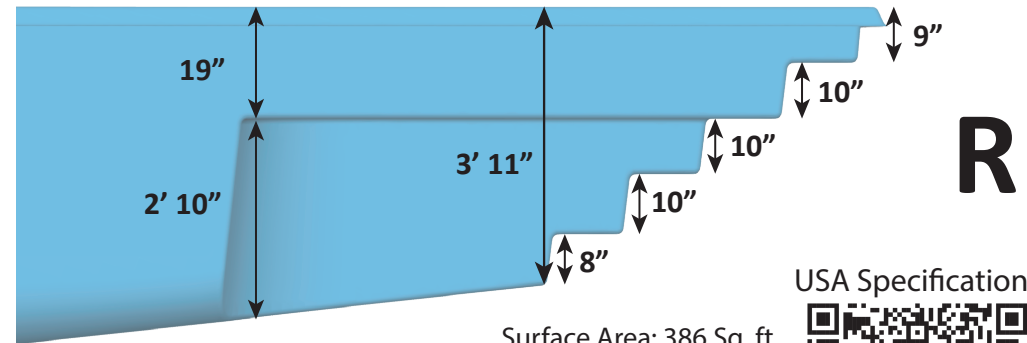
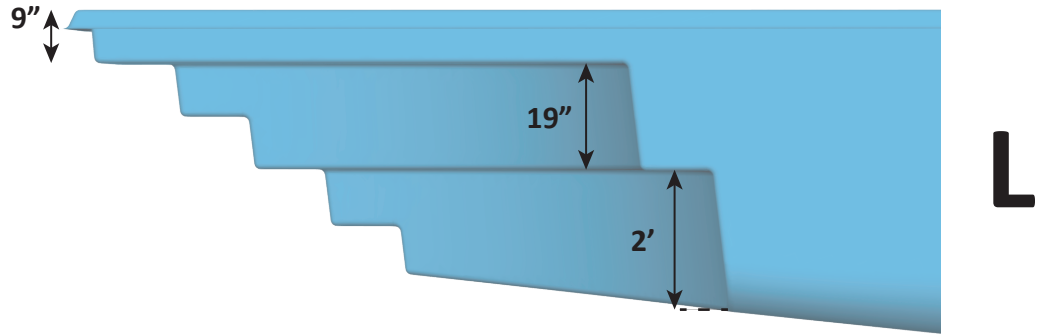
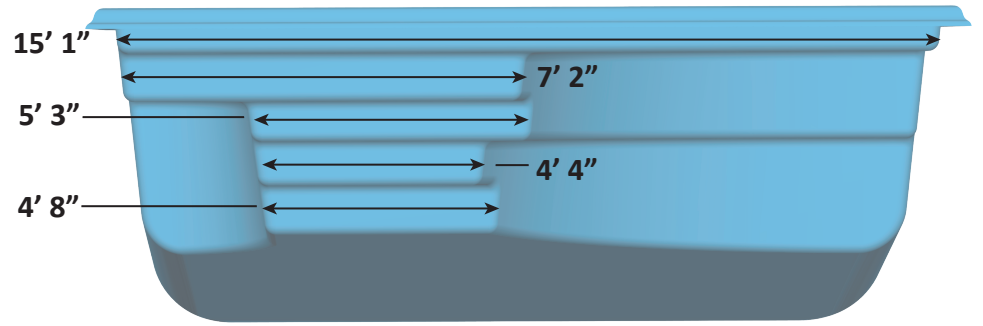
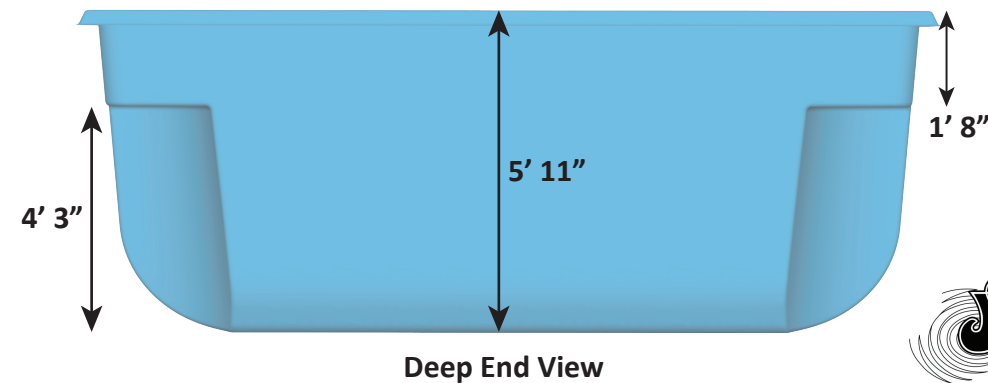
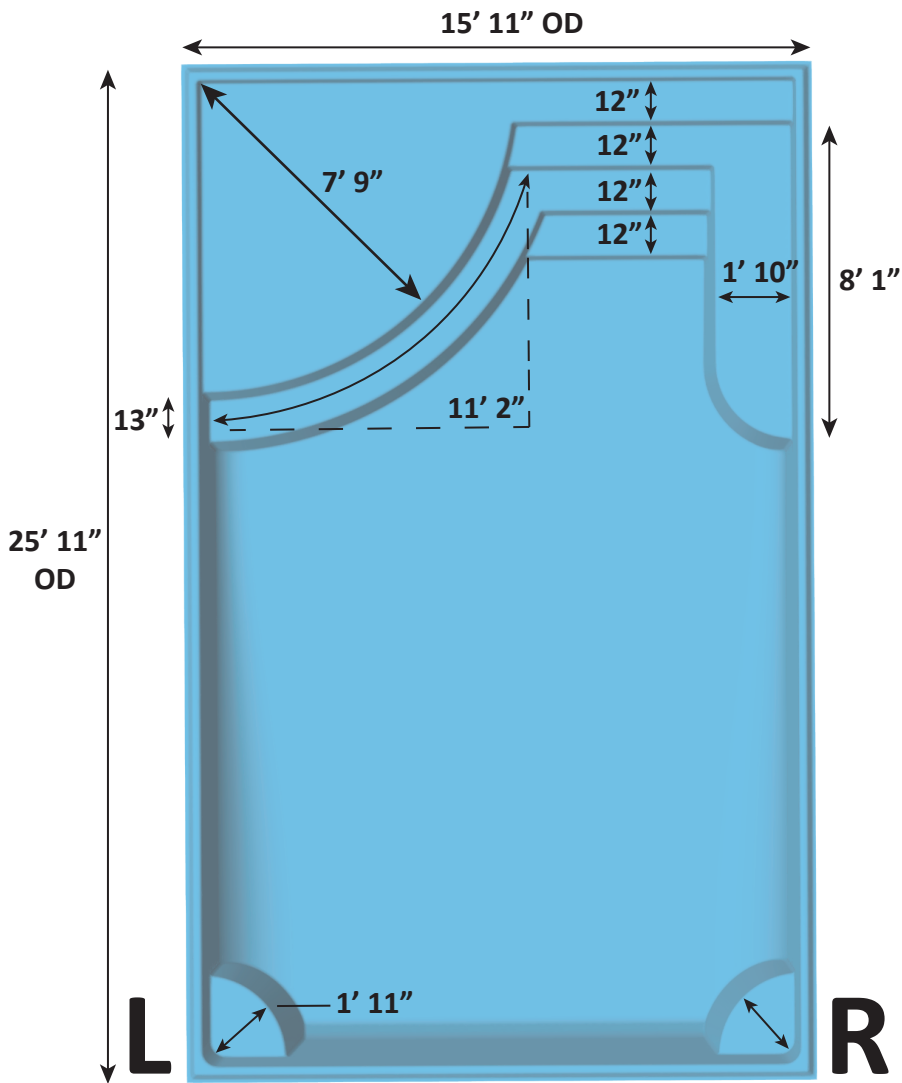


LAKE MICHIGAN DETAIL SHEET - 10-28-21 - REVISION 02



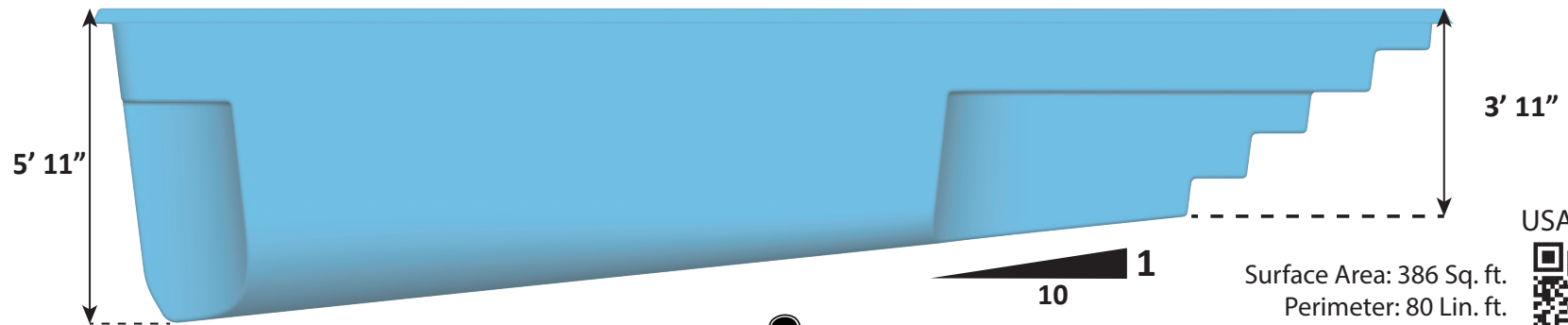
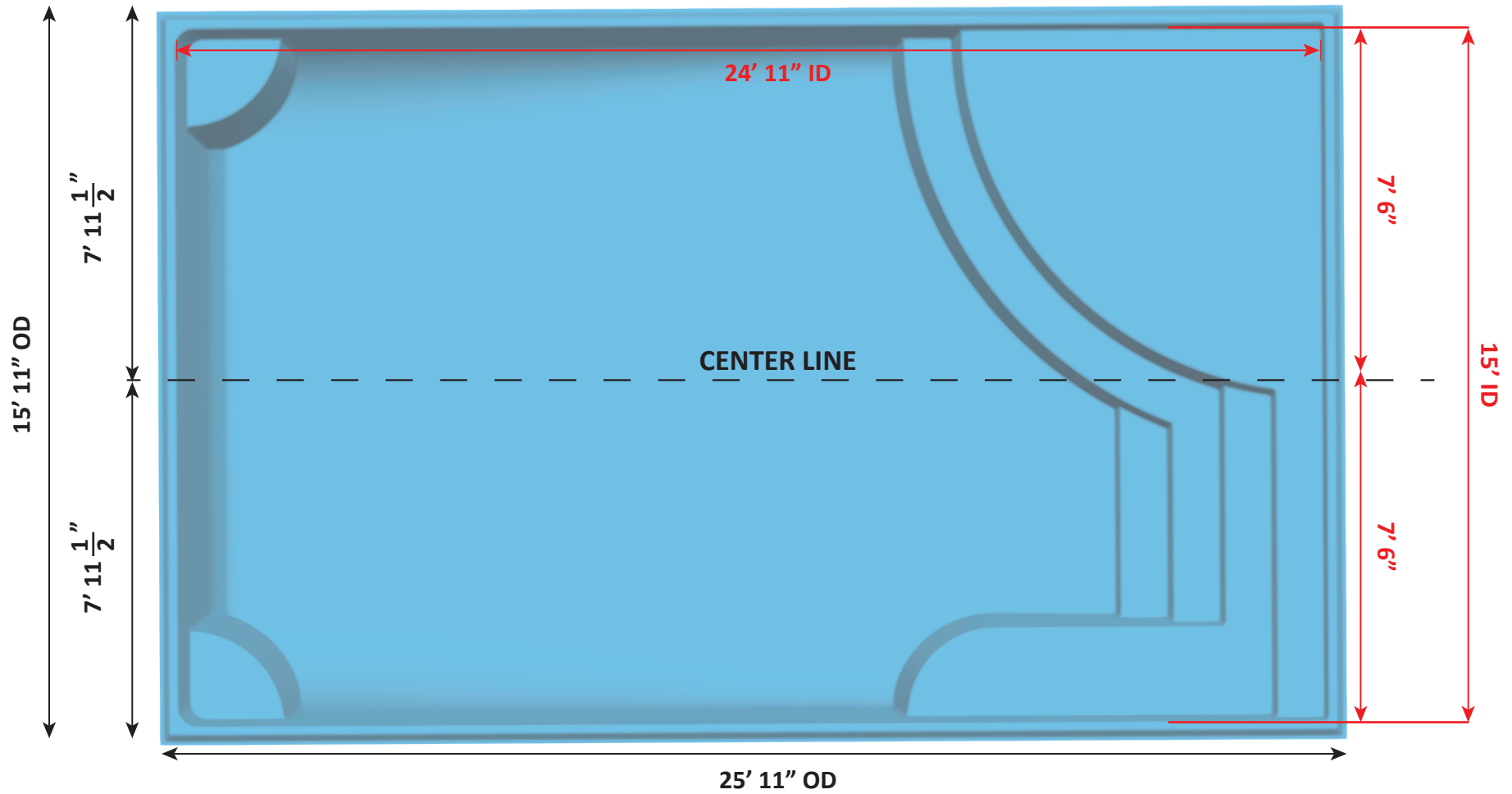
USA Specifications

Surface Area: 386 Sq. ft.
 Perimeter: 80 Lin. ft.
 Volume: 10,714 Gal.

Per sect. 8.1, surfaces that provide footing have slip resistant surfaces.
 All measurements are averages.



LAKE MICHIGAN DETAIL SHEET - 10-28-21 - REVISION 02



USA Specifications

Surface Area: 386 Sq. ft.
 Perimeter: 80 Lin. ft.
 Volume: 10,714 Gal.

Per sect. 8.1, surfaces that provide footing have slip resistant surfaces.
 All measurements are averages.

