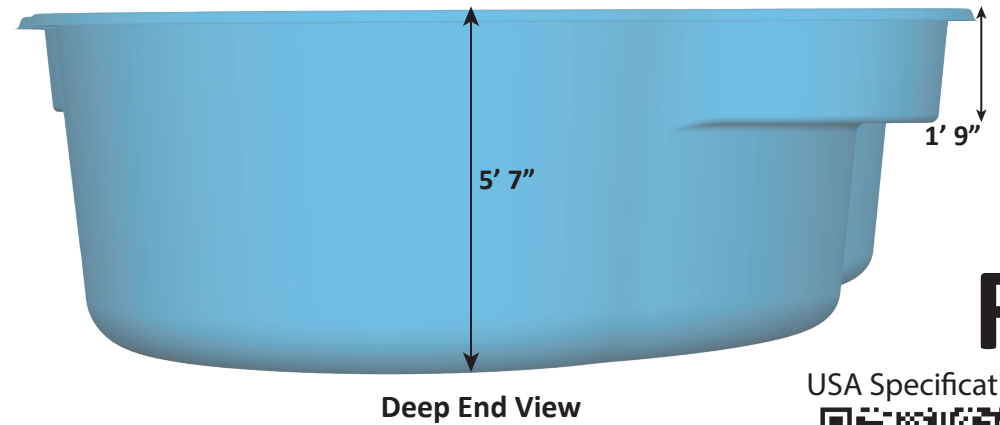
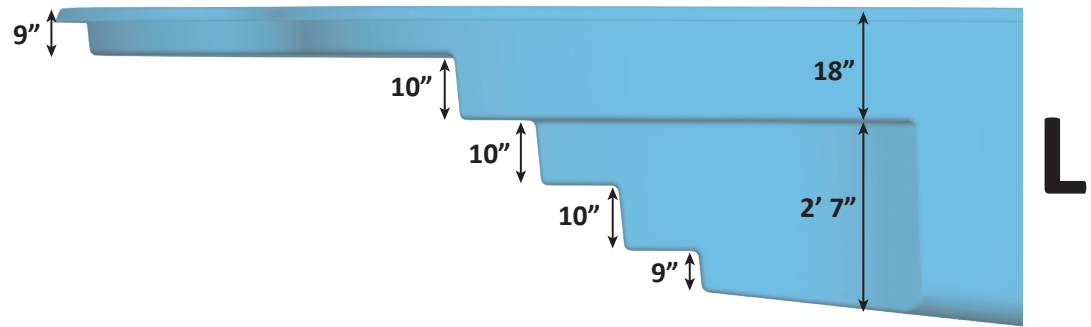
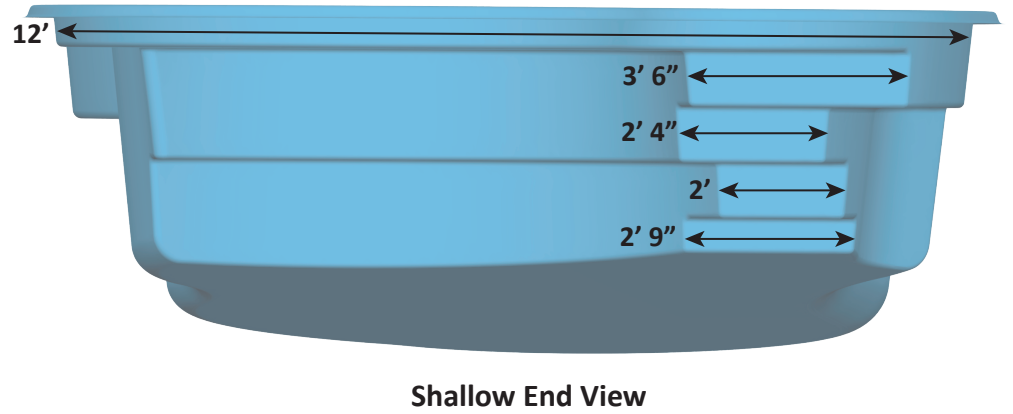
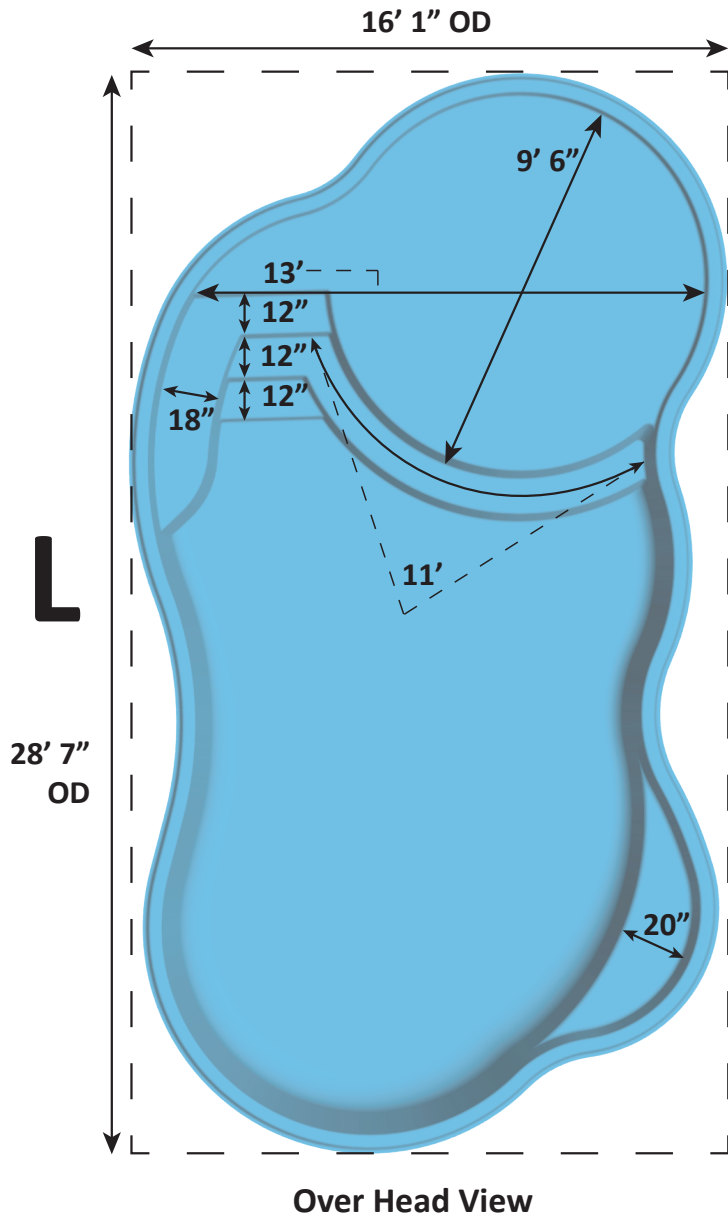


# HUNTINGTON BEACH DETAIL SHEET - 10-28-21 - REVISION 02



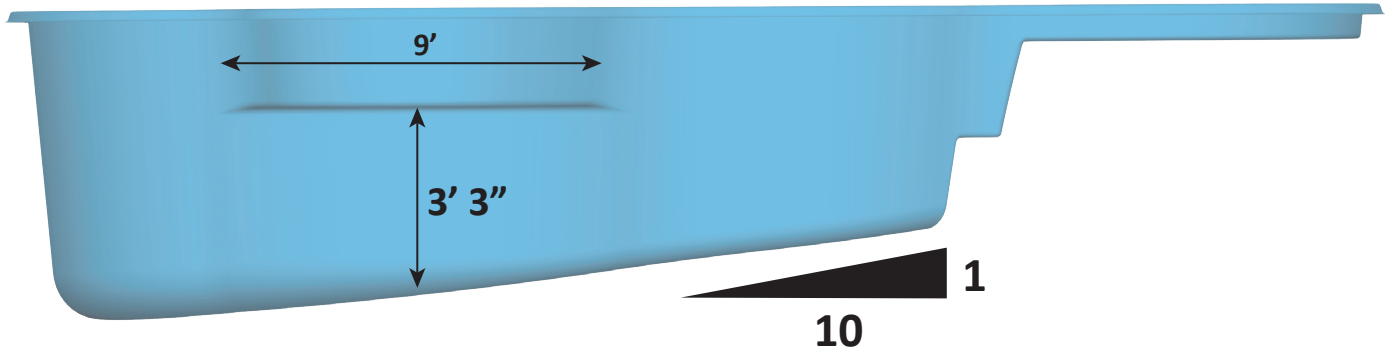
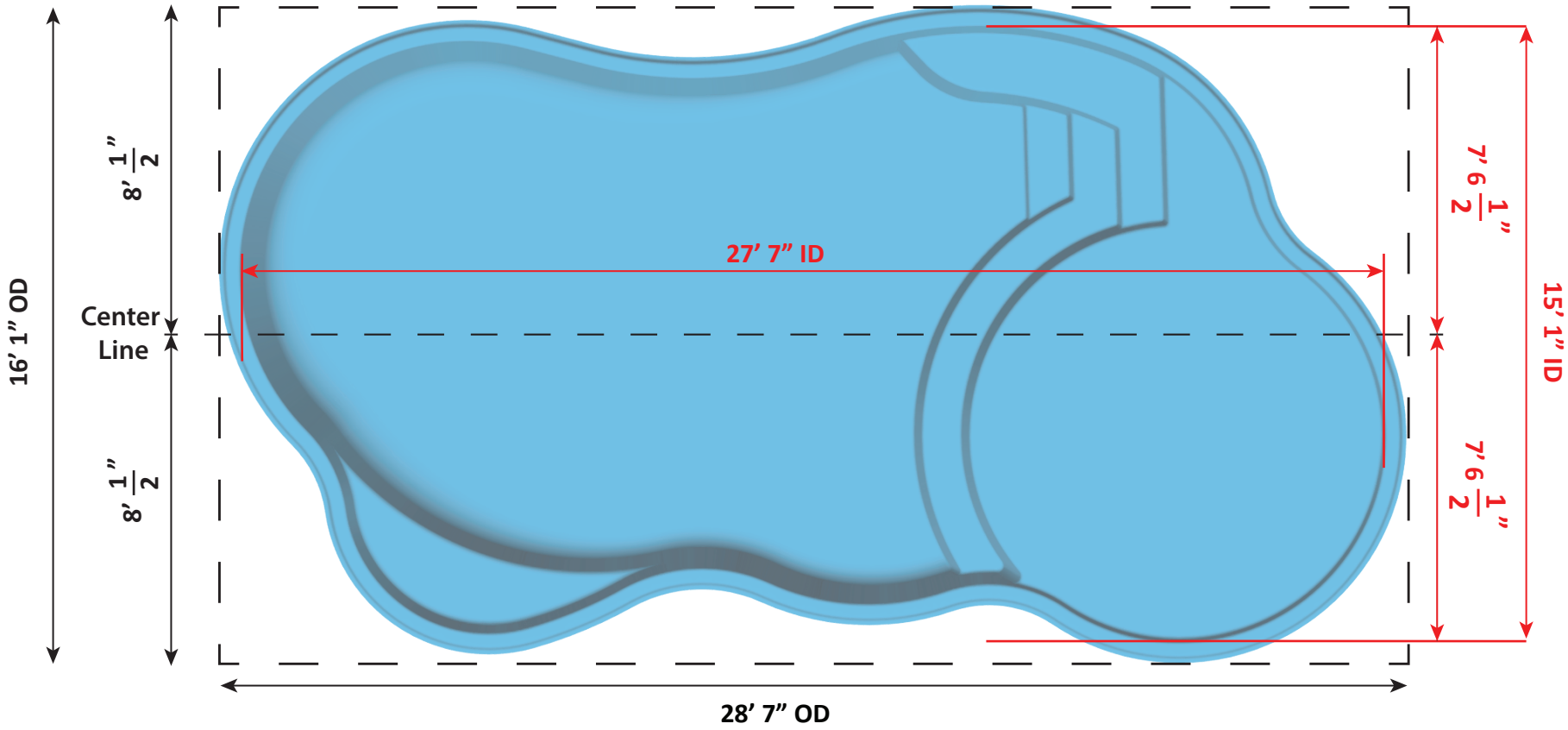
Surface Area: 315 Sq. ft.  
 Perimeter: 74 Lin. ft.  
 Volume: 7,320 Gal.  
 Per sect. 8.1, surfaces that provide footing have slip resistant surfaces.  
 All measurments are averages.



USA Specifications



HUNTINGTON BEACH DETAIL SHEET - 10-28-21 - REVISION 02



Surface Area: 315 Sq. ft.  
 Perimeter: 74 Lin. ft.  
 Volume: 7,320 Gal.  
 Per sect. 8.1, surfaces that provide footing have slip resistant surfaces.  
 All measurments are averages.



USA Specifications

