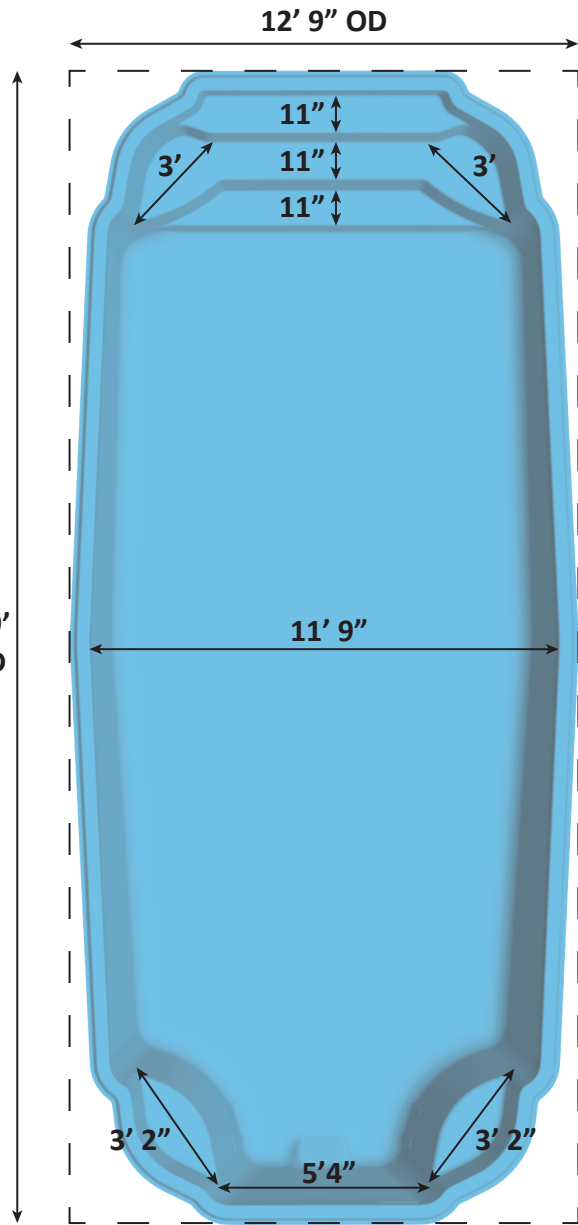


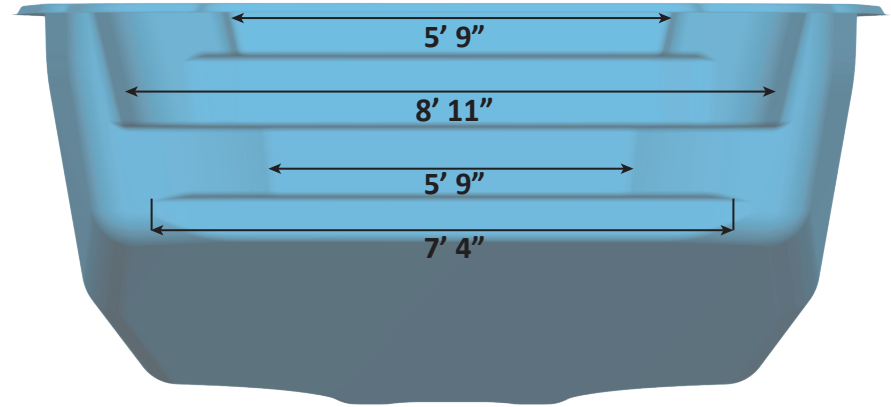
HAWAIIAN DETAIL SHEET - 12-15-21 - REVISION 01

L

29'
OD

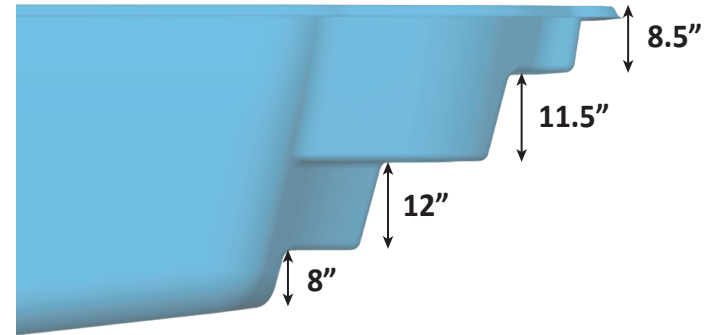


Over Head View



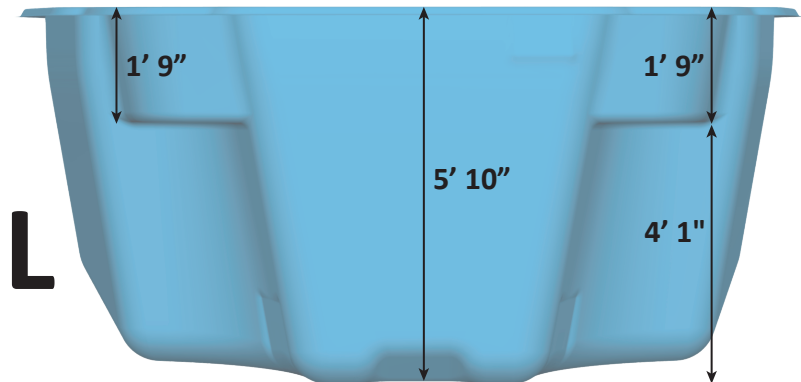
Shallow End View

R



R

L



Deep End View

USA Specifications

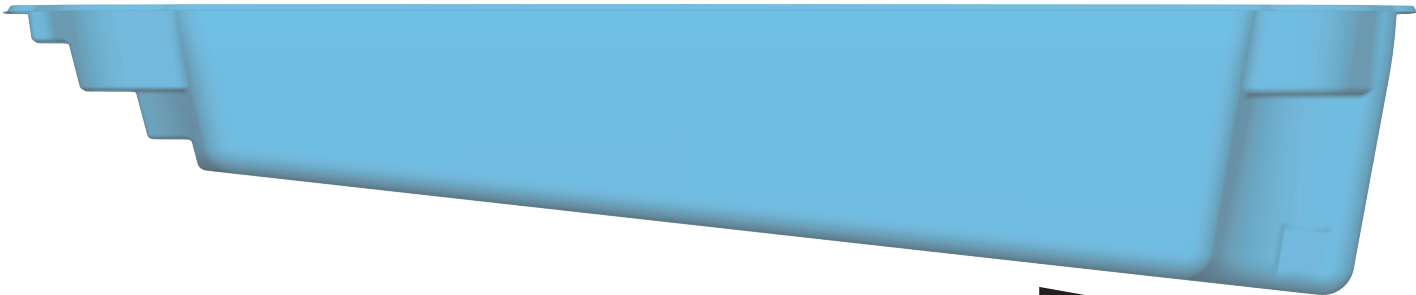
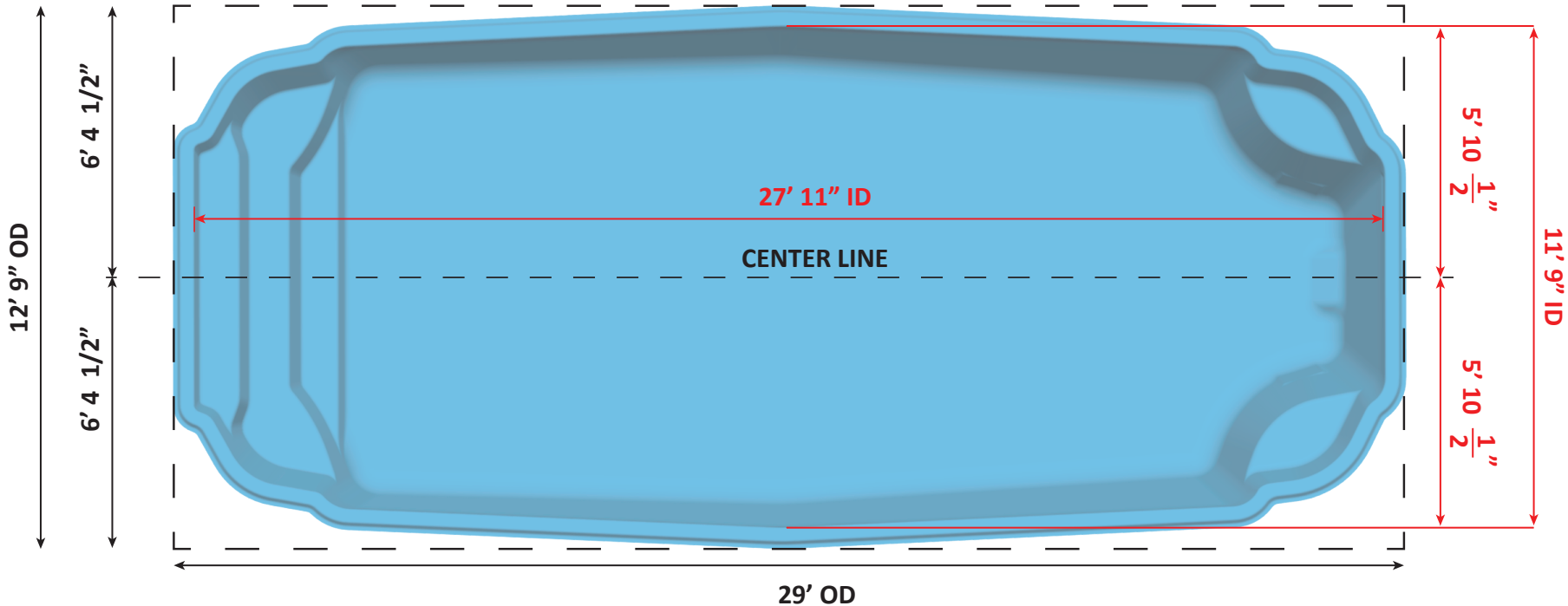


Surface Area: 329 Sq. ft.
 Perimeter: 73 Lin. ft.
 Volume: 8,375 Gal.
 Operating Volume: 7,339 Gal.
 Per sect. 8.1, surfaces that provide footing have slip resistant surfaces.
 All measurements are averages.



Operating Volume - Volume of water calculated based on the water line falling 5" below the coping.

HAWAIIAN DETAIL SHEET - 12-15-21 - REVISION 01



USA Specifications



Surface Area: 329 Sq. ft.
 Perimeter: 73 Lin. ft.
 Volume: 8,375 Gal.
 Operating Volume: 7,339 Gal.
 Per sect. 8.1, surfaces that provide footing have slip resistant surfaces.
 All measurements are averages.



Operating Volume - Volume of water calculated based on the water line falling 5" below the coping.