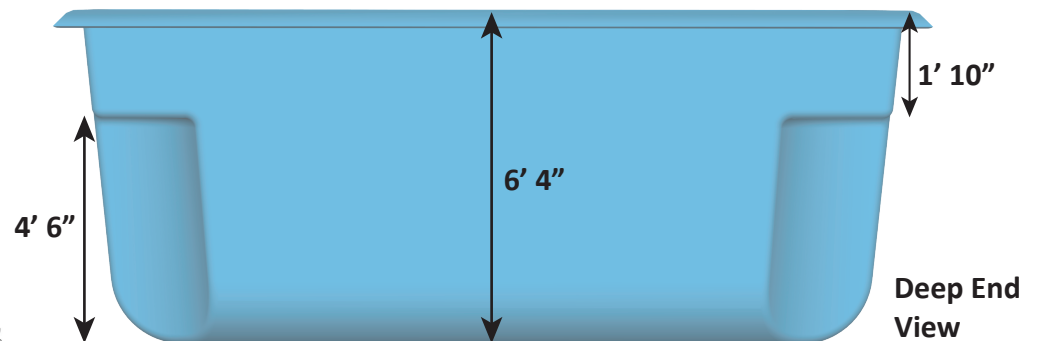
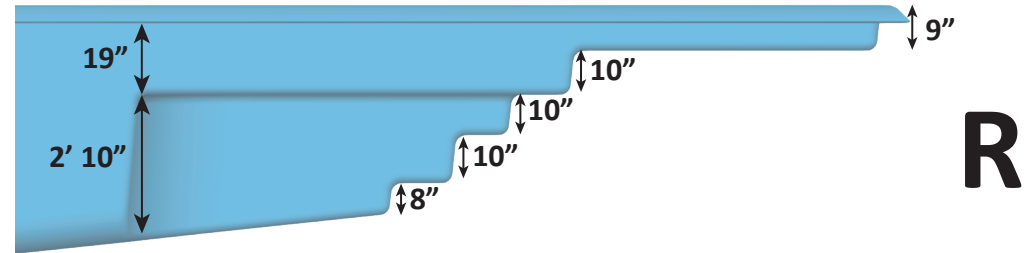
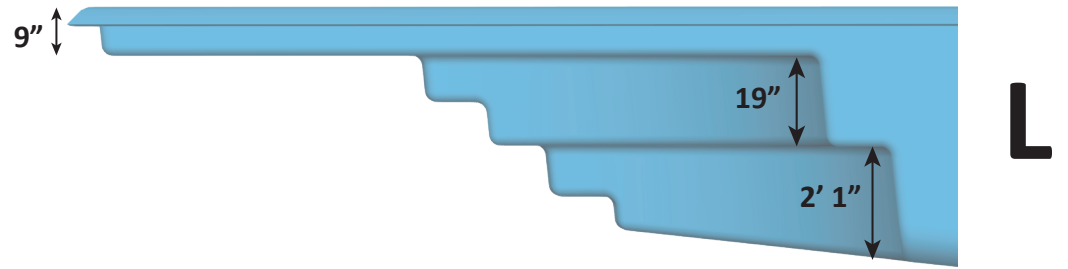
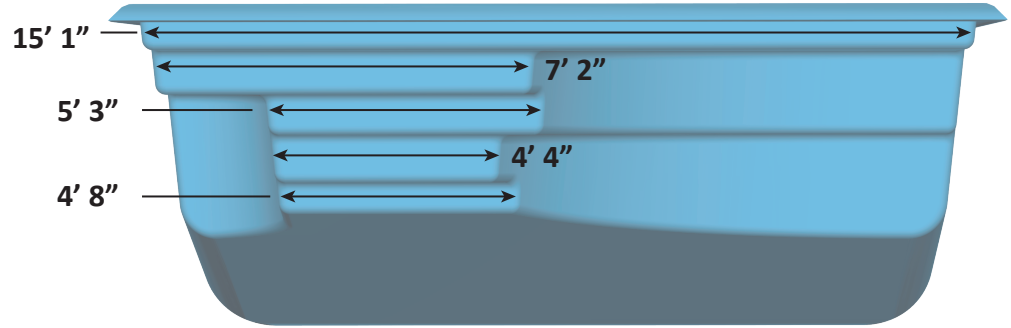
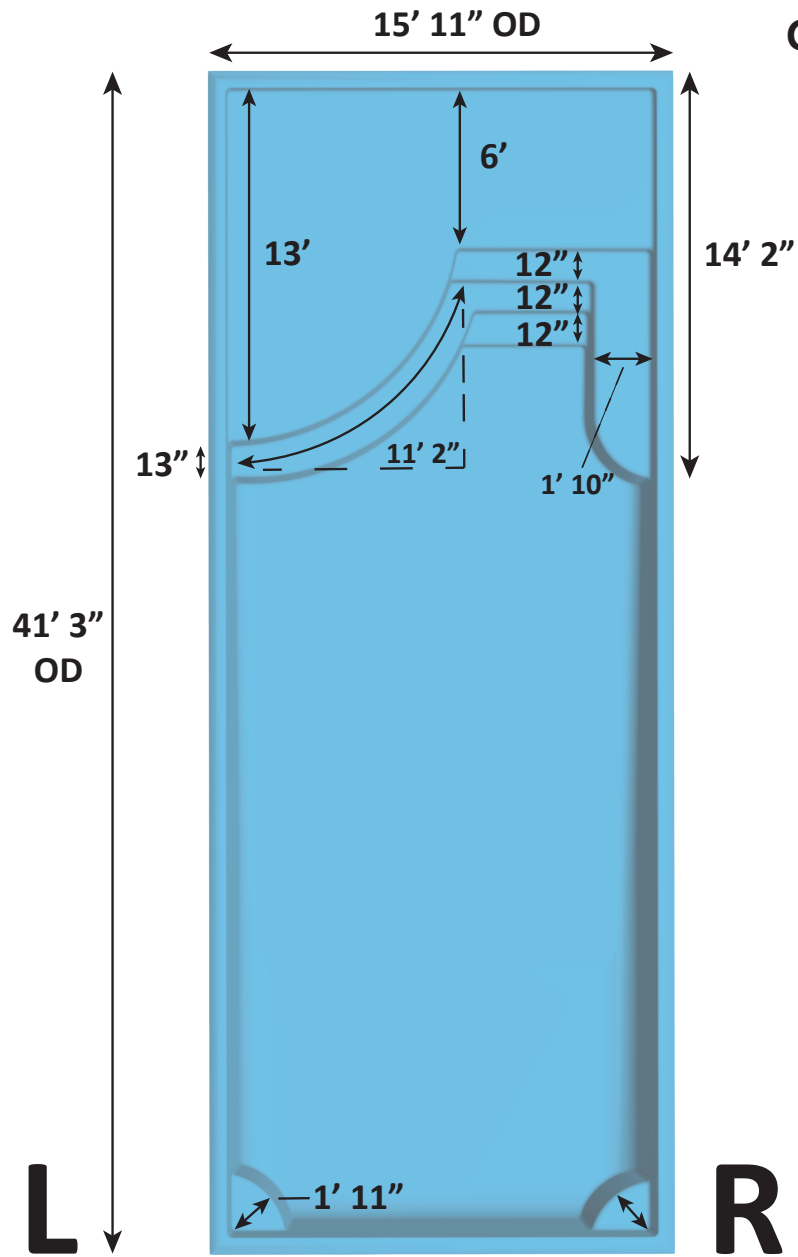


GREAT LAKES BEACH DETAIL SHEET - 10-28-21 - REVISION 02



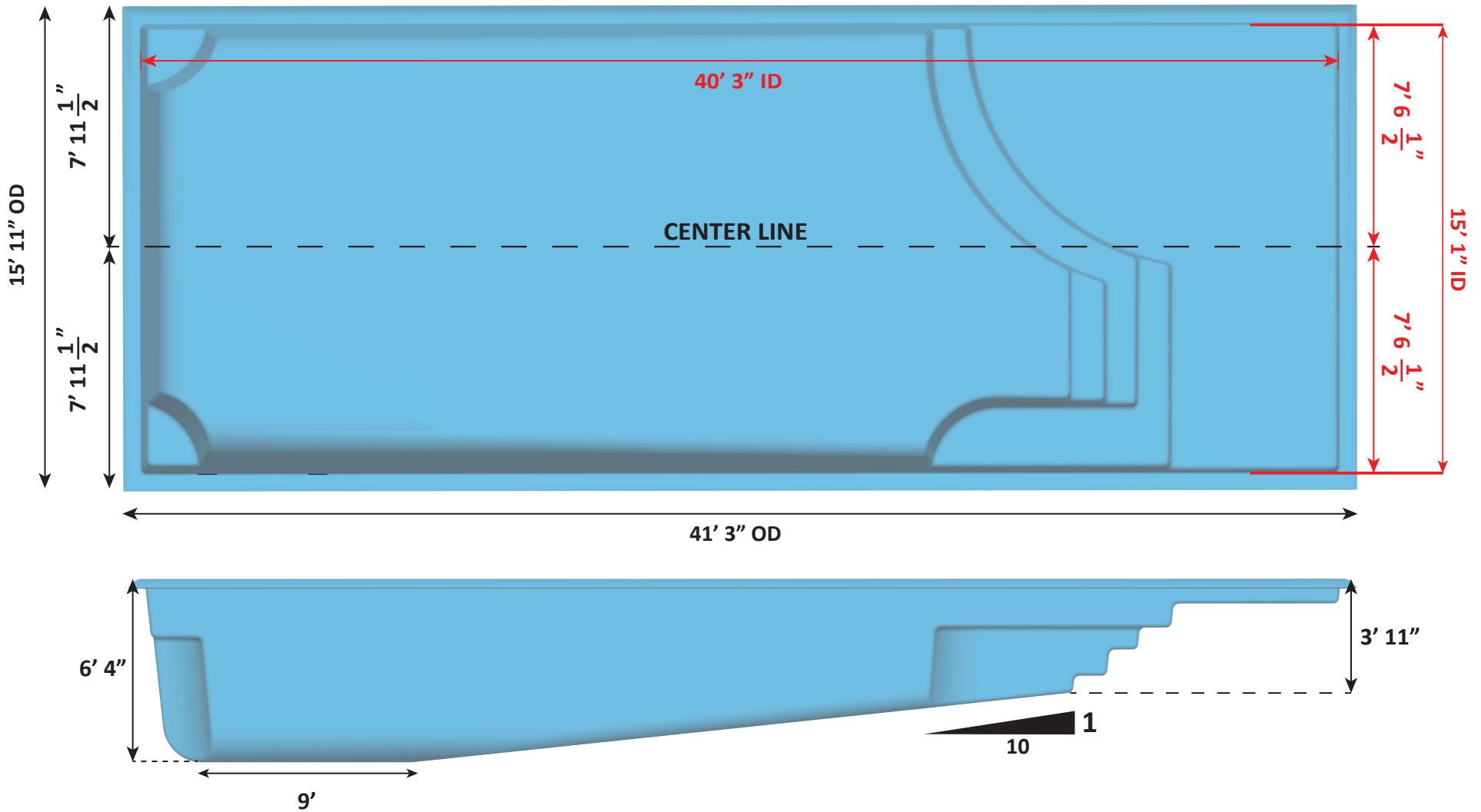
USA Specifications



Surface Area: 635 Sq. ft.
 Perimeter: 112 Lin. ft.
 Volume: 18,761 Gal.
 Per sect. 8.1, surfaces that provide footing have slip resistant surfaces.
 All measurements are averages.



GREAT LAKES BEACH DETAIL SHEET - 10-28-21 - REVISION 02



USA Specifications



Surface Area: 635 Sq. ft.
 Perimeter: 112 Lin. ft.
 Volume: 18,761 Gal.
 Per sect. 8.1, surfaces that provide footing have slip resistant surfaces.
 All measurements are averages.

