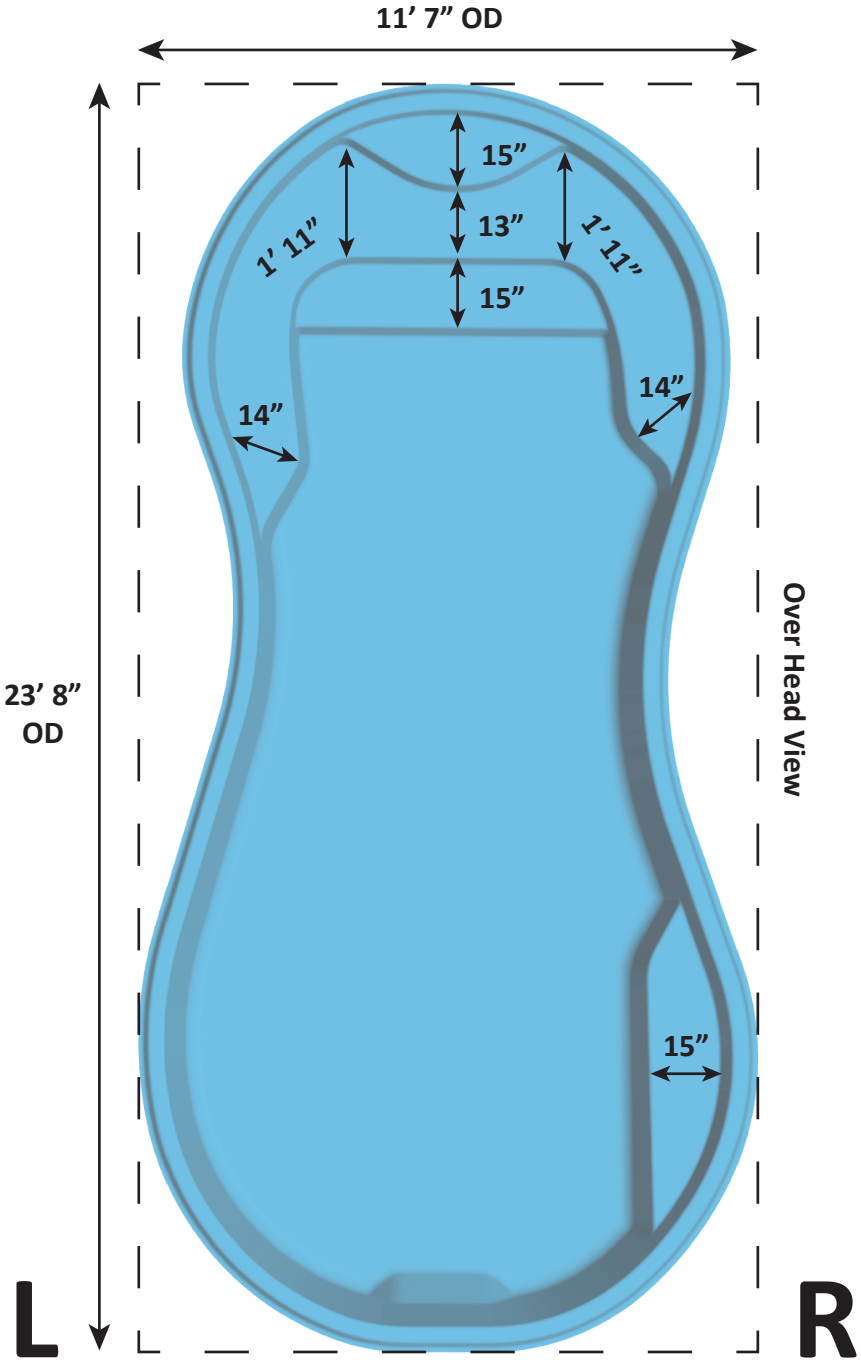
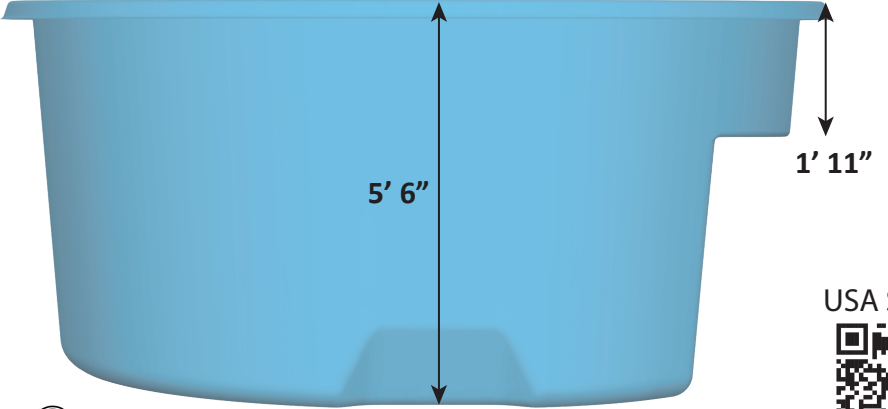
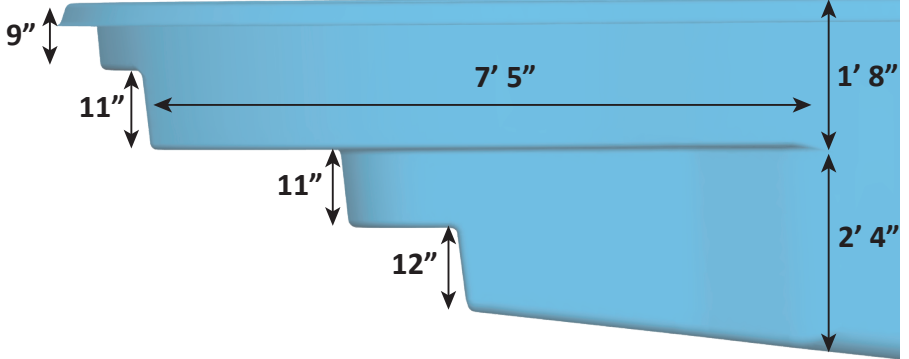
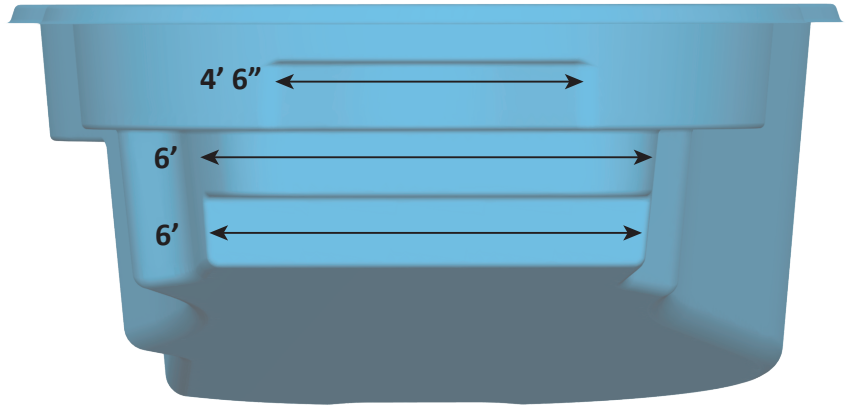


COCOA BEACH DETAIL SHEET - 10-28-21 - REVISION 2



Surface Area: 193 Sq. ft.
 Perimeter: 58 Lin. ft.
 Volume: 5,273 Gal.

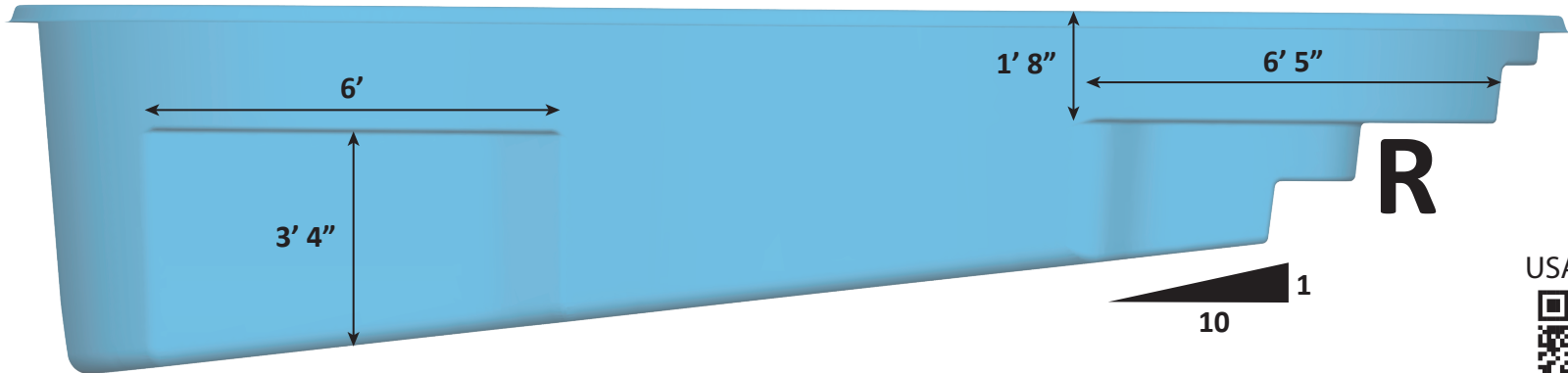
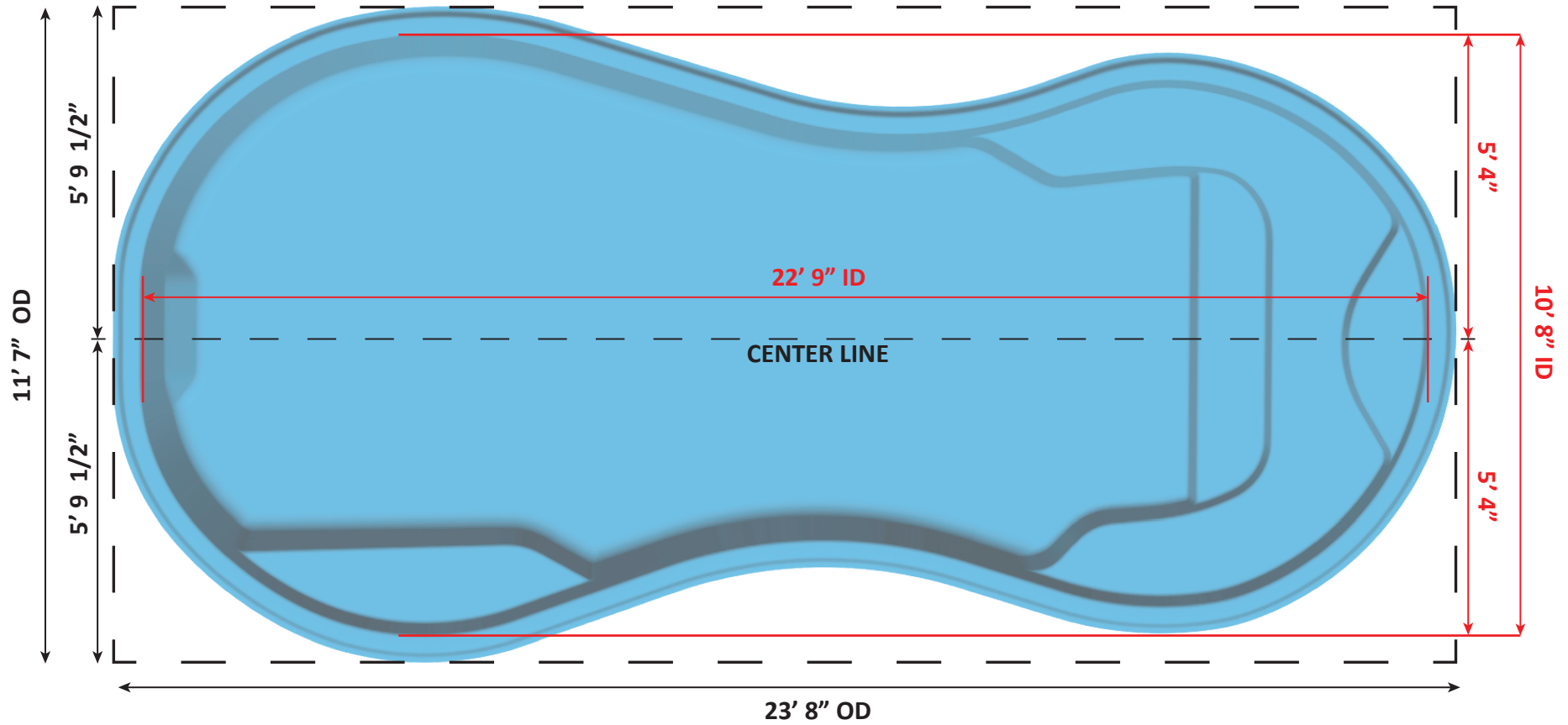
Per sect. 8.1, surfaces that provide footing have slip resistant surfaces.
 All measurements are averages.



USA Specifications



COCOA BEACH DETAIL SHEET - 10-28-21 - REVISION 2



Surface Area: 193 Sq. ft.
 Perimeter: 58 Lin. ft.
 Volume: 5,273 Gal.

Per sect. 8.1, surfaces that provide
 footing have slip resistant surfaces.
 All measurements are averages.



USA Specifications

