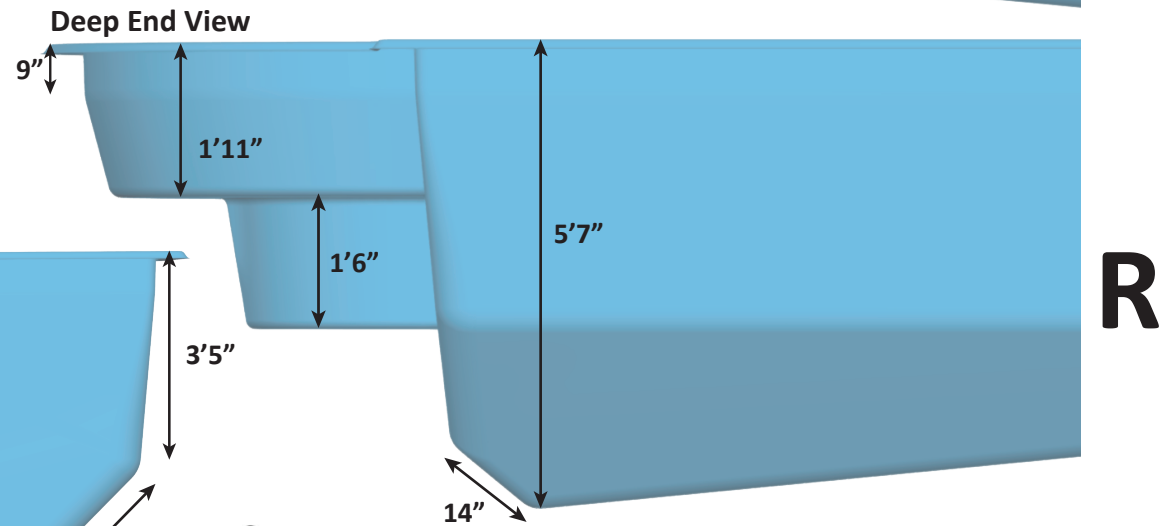
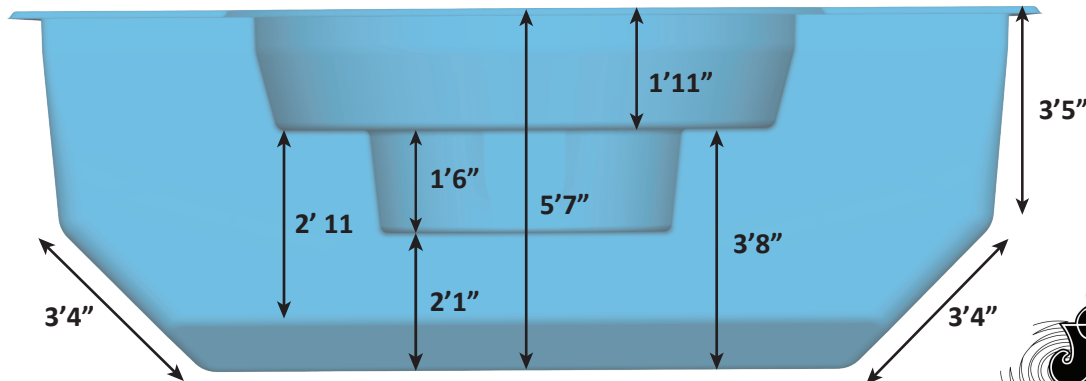
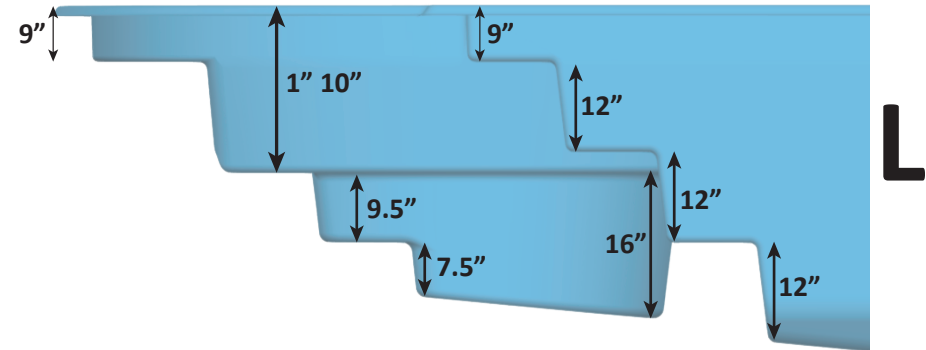
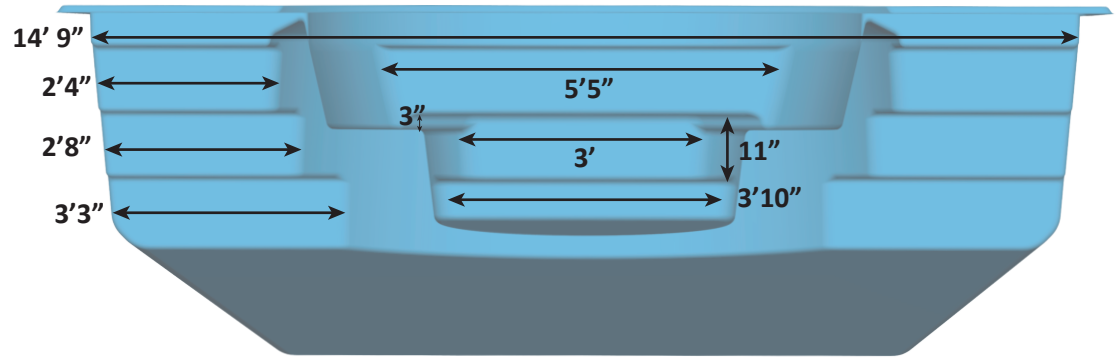
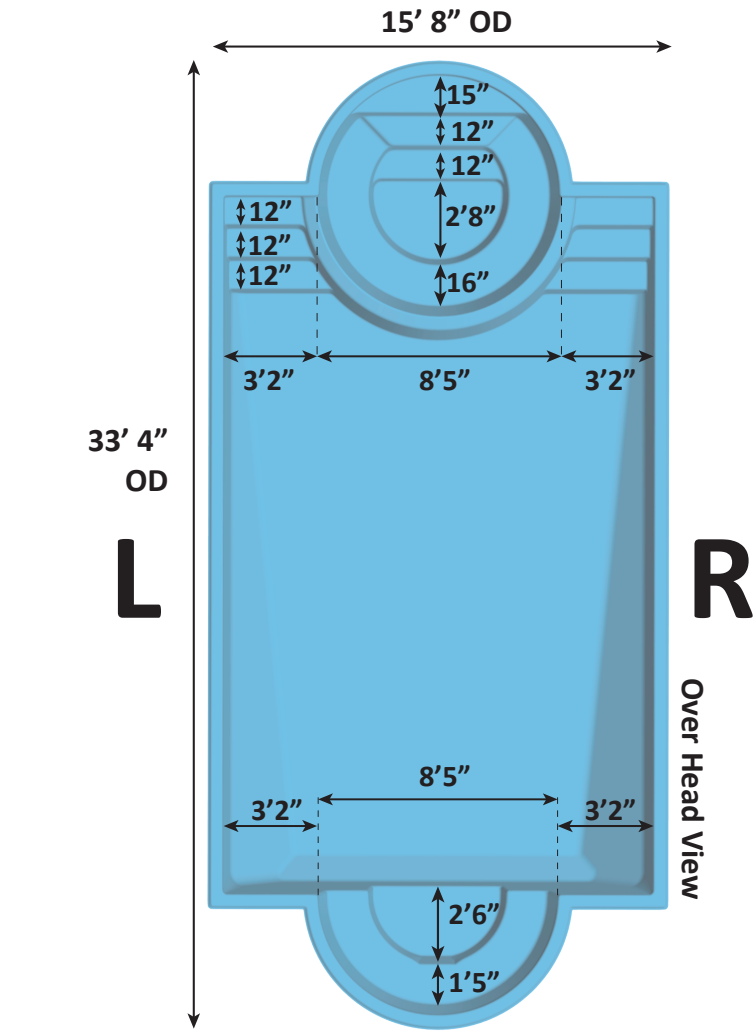


CAESAR'S PALACE DETAIL SHEET - 11-01-21 - REVISION 01



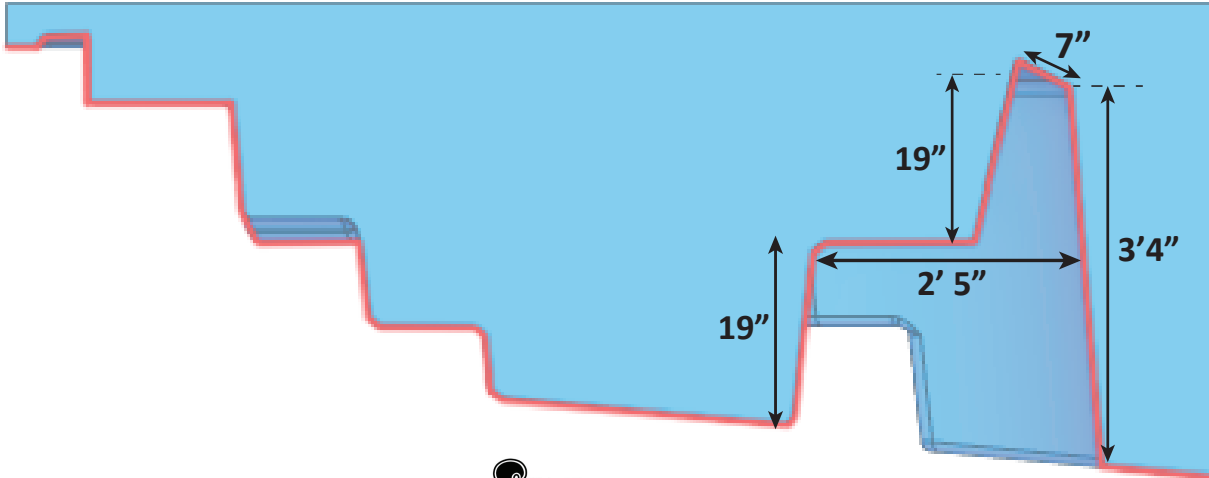
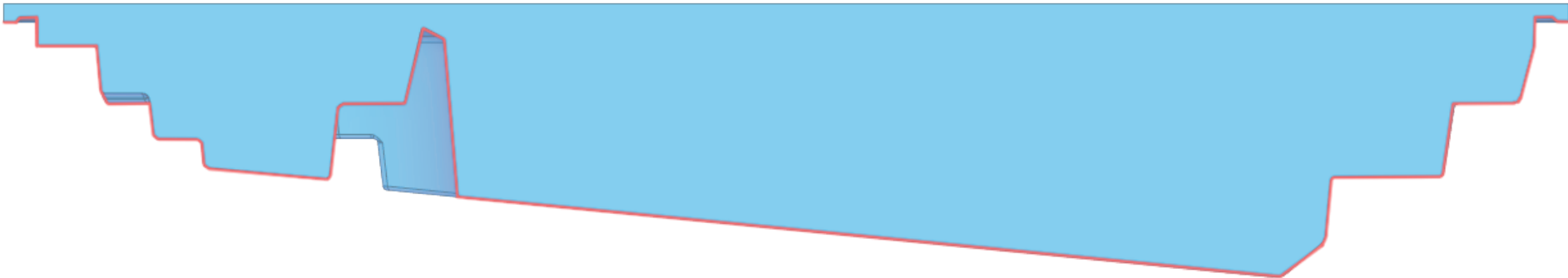
Surface Area: 486 Sq. ft.
 Perimeter: 88 Lin. ft.
 Volume: 11,727 Gal.

Per sect. 8.1, surfaces that provide footing have slip resistant surfaces.
 All measurments are averages.

CAESAR'S PALACE DETAIL SHEET - 11-01-21 - REVISION 01



Cross Section Views



Surface Area: 486 Sq. ft.
 Perimeter: 88 Lin. ft.
 Volume: 11,727 Gal.

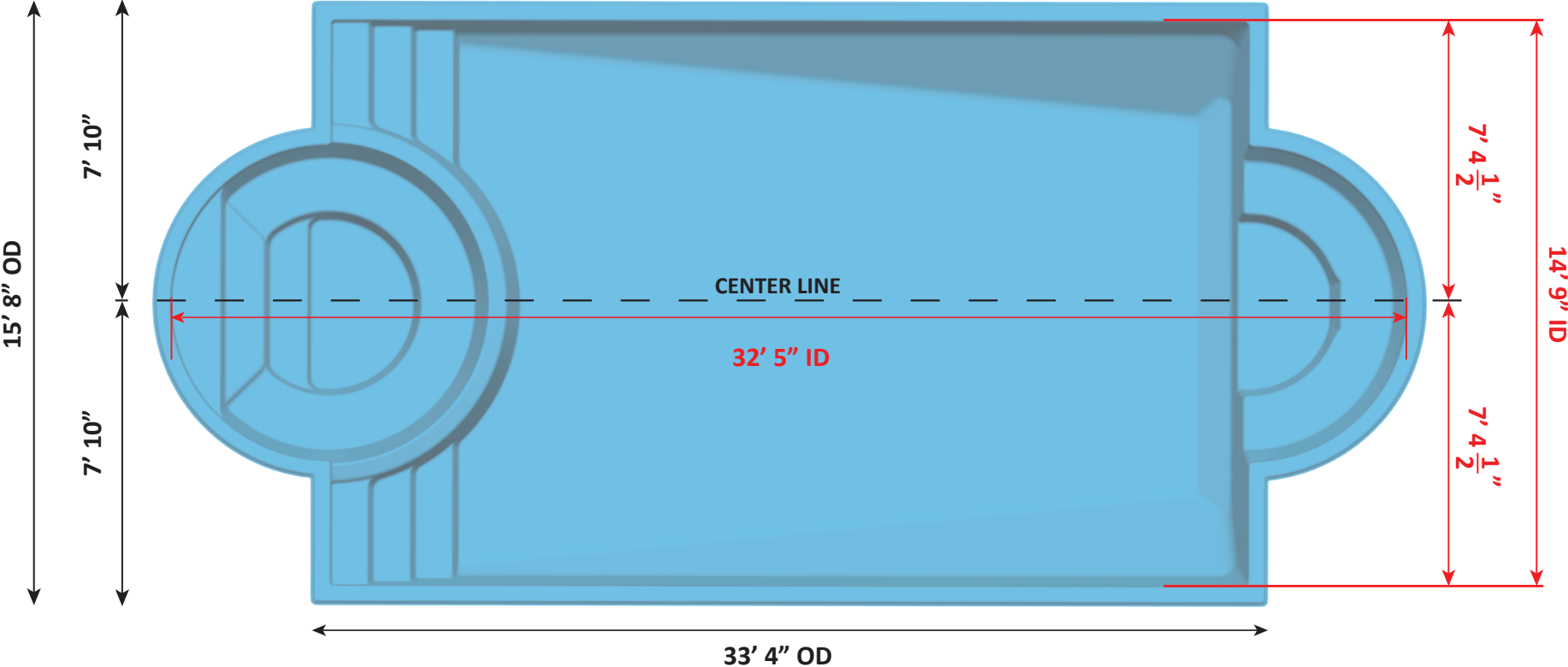
Per sect. 8.1, surfaces that provide footing have slip resistant surfaces.
 All measurements are averages.



USA Specifications



CAESAR'S PALACE DETAIL SHEET - 11-01-21 - REVISION 01



Surface Area: 486 Sq. ft.
Perimeter: 88 Lin. ft.
Volume: 11,727 Gal.

Per sect. 8.1, surfaces that provide footing have slip resistant surfaces.
All measurments are averages.



USA Specifications

