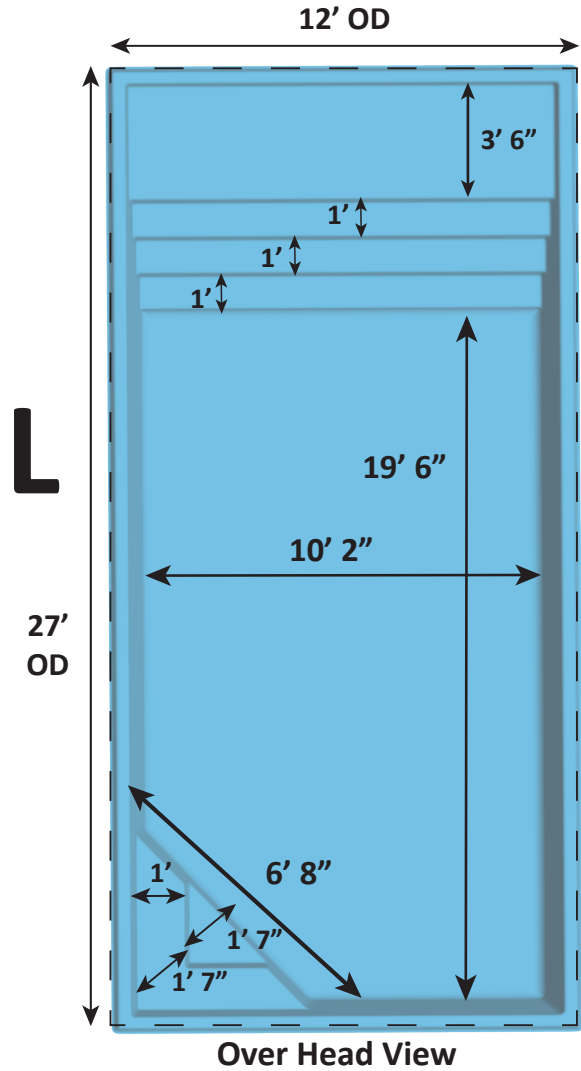
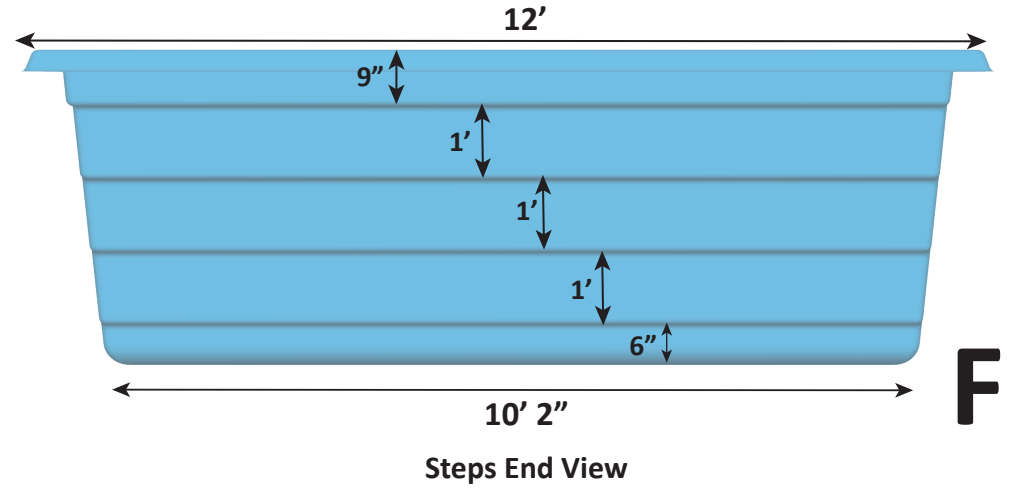


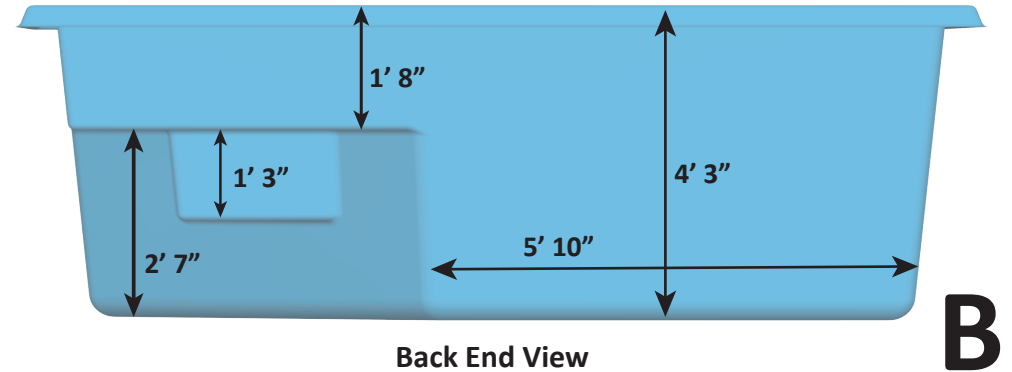
# BILOXI DETAIL SHEET - 09-09-24 - REVISION 01



**R**



**F**



**B**

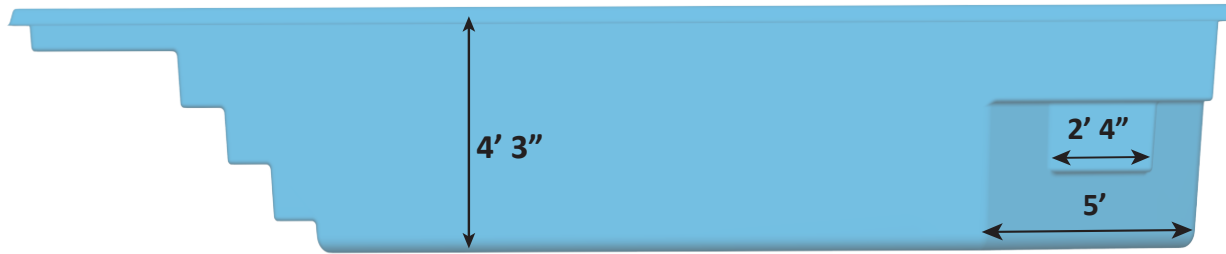
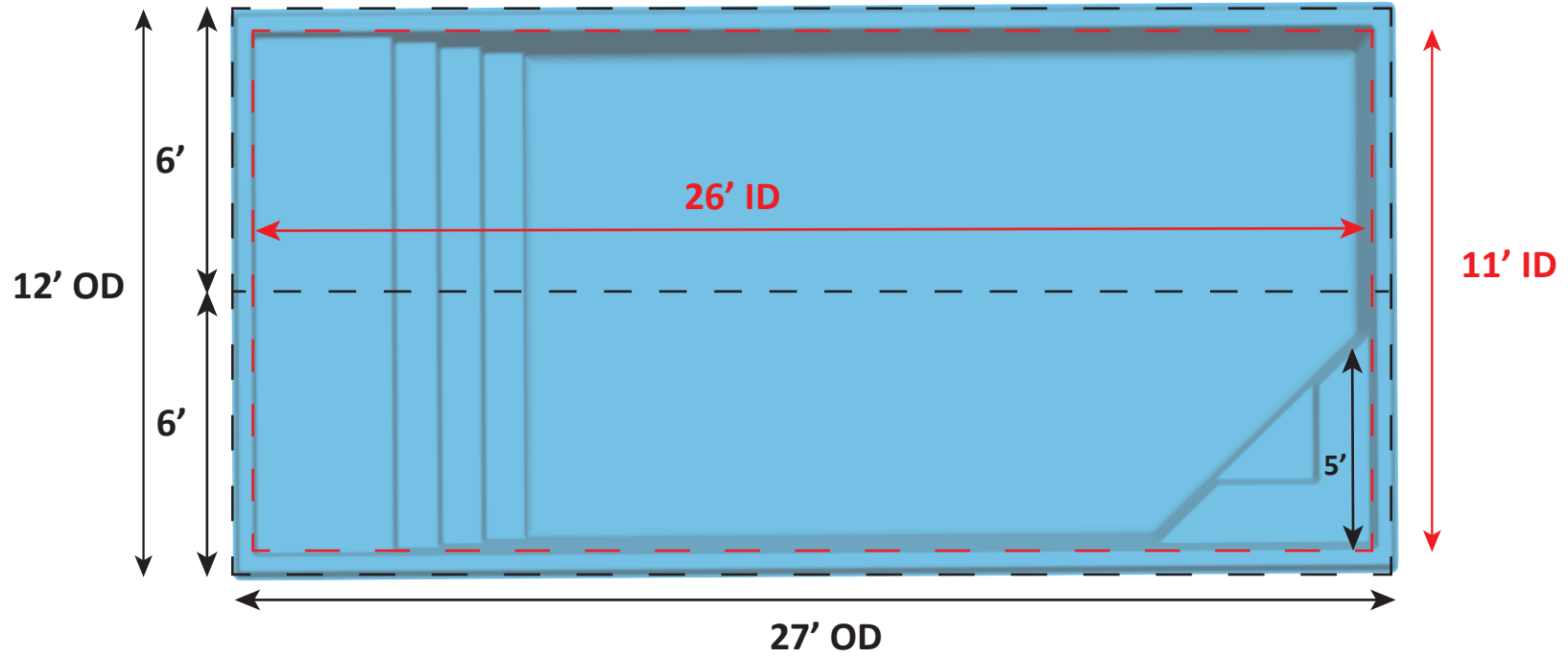
Surface Area: 303 Sq. ft.  
 Perimeter: 76.46 Lin. ft.  
 Volume: 7,510 Gal.  
 Per sect. 8.1, surfaces that provide  
 footing have slip resistant surfaces.  
 All measurements are averages.



USA Specifications



# BILOXI DETAIL SHEET - 09-09-2024 - REVISION 01



Surface Area: 303 Sq. ft.  
Perimeter: 76.46 Lin. ft.  
Volume: 7,510 Gal.  
Per sect. 8.1, surfaces that provide  
footing have slip resistant surfaces.  
All measurements are averages.



USA Specifications

